

**F MFI SERIES MICRO SWITCHES**

**DESCRIPTION**

Giovenzana's standard micro switches with self cleaning contacts, supplied with operator, are high-precision, snap action switches and these are the main features for which they are notable:

- Fast and reliable switching largely independent of actuating speed;
- High electrical ratings but with small dimensions;
- High repeat accuracy of switching points and forces;
- Low operating force;
- **NC positive opening**
- Very long service life
- Equipped with self cleaning switching contacts in silver alloy
- Available with the pin plunger or various type of actuation lever.

• Easy adaptation to numerous applications such as joystick, air conditioner, food processor, juice maker, mixer, coffee machines, disabled footboards, ...

We've six lines of micro switches (one of them dedicated to Atex field):



**MFI series** (pag. 79-81)

Micro switches, normalized with self-cleaning contacts including actioning lever with 7 different versions.

- Faston terminal 6.3 x 0.8



**MFI.S series** (pag. 82-84)

Micro switches, normalized with self-cleaning contacts including actioning lever with 7 different versions.

- Solder micro switches



**MFI.ST series** (pag. 85-87)

Micro switches, normalized with self-cleaning contacts including actioning lever with 7 different versions.

- Screw terminal



**MFI.STP series** (pag. 88-90)

Micro switches, normalized with self-cleaning contacts including actioning lever with 7 different versions.

- Screw terminal and plate protection



**MFI.T** (pag. 91)

Micro switch with tower actuator and threaded flange.



**Also available the MFI.Ex series.**  
Micro switches dedicated to use in hazardous areas and potentially explosive atmospheres.  
**Ask the dedicated Atex catalogue!**

**QUALITY MARKS**

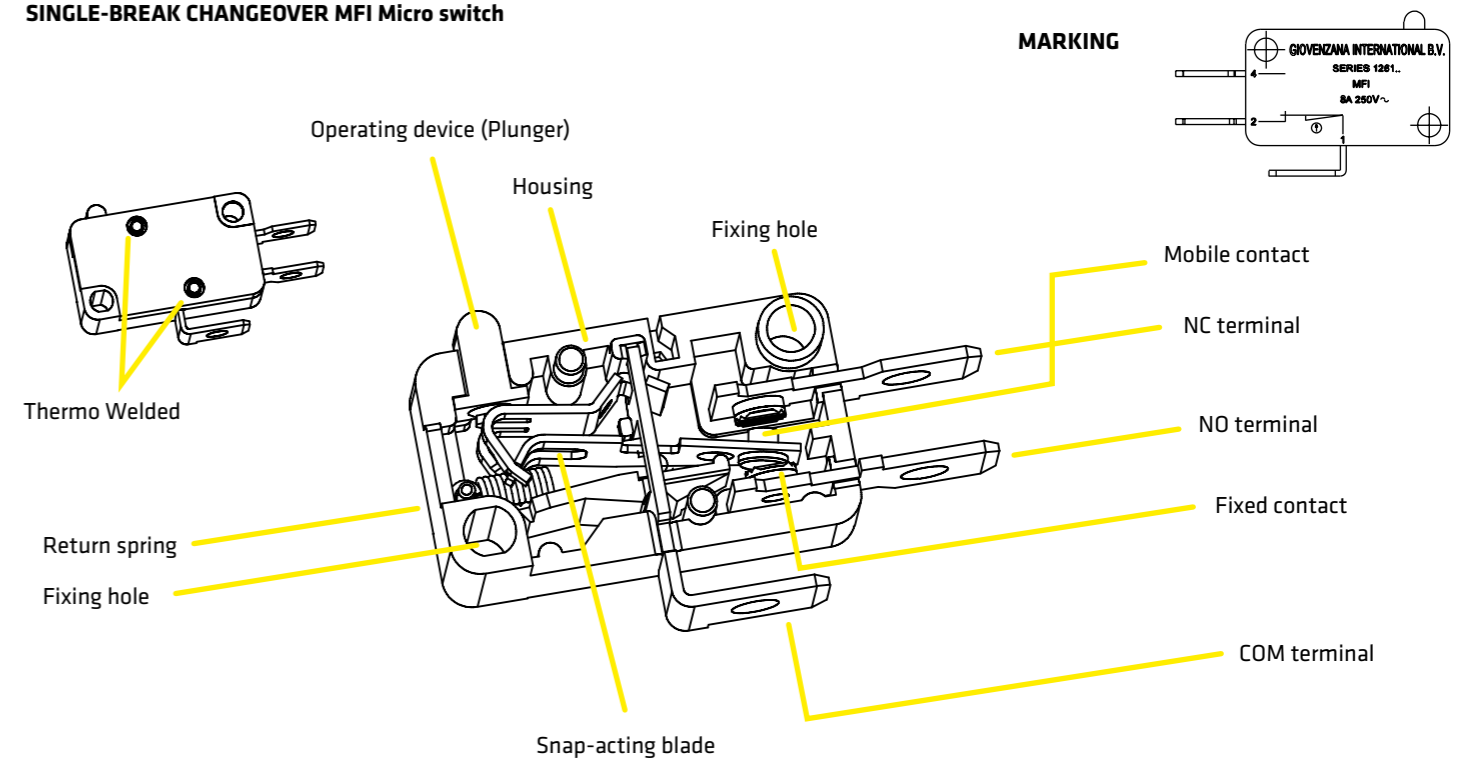


**STANDARDS & APPROVALS**

<b>Standards</b>	IEC/EN61058, UL1054
<b>Approvals</b>	cRUus, CE for all applicable directives

**STRUCTURE DESCRIPTION**

**SINGLE-BREAK CHANGEOVER MFI Micro switch**



Micro switches are activated by a spring-operated (or snap-action) mechanism. Depressing the actuator triggers the switching operation, with a pre-defined force and travel. The switching speed itself is a largely independent of the speed of actuation.

**ACTIONING LEVERS**

It is possible to attach an actioning lever to a snap switch in order to meet the specific requirements of a given application. Doing so usually alters the travel and forces involved in the switching operation, depending on the length of the levers. By attaching an appropriate actioning lever, it is possible to increase travel and/or reduce actuating force required.

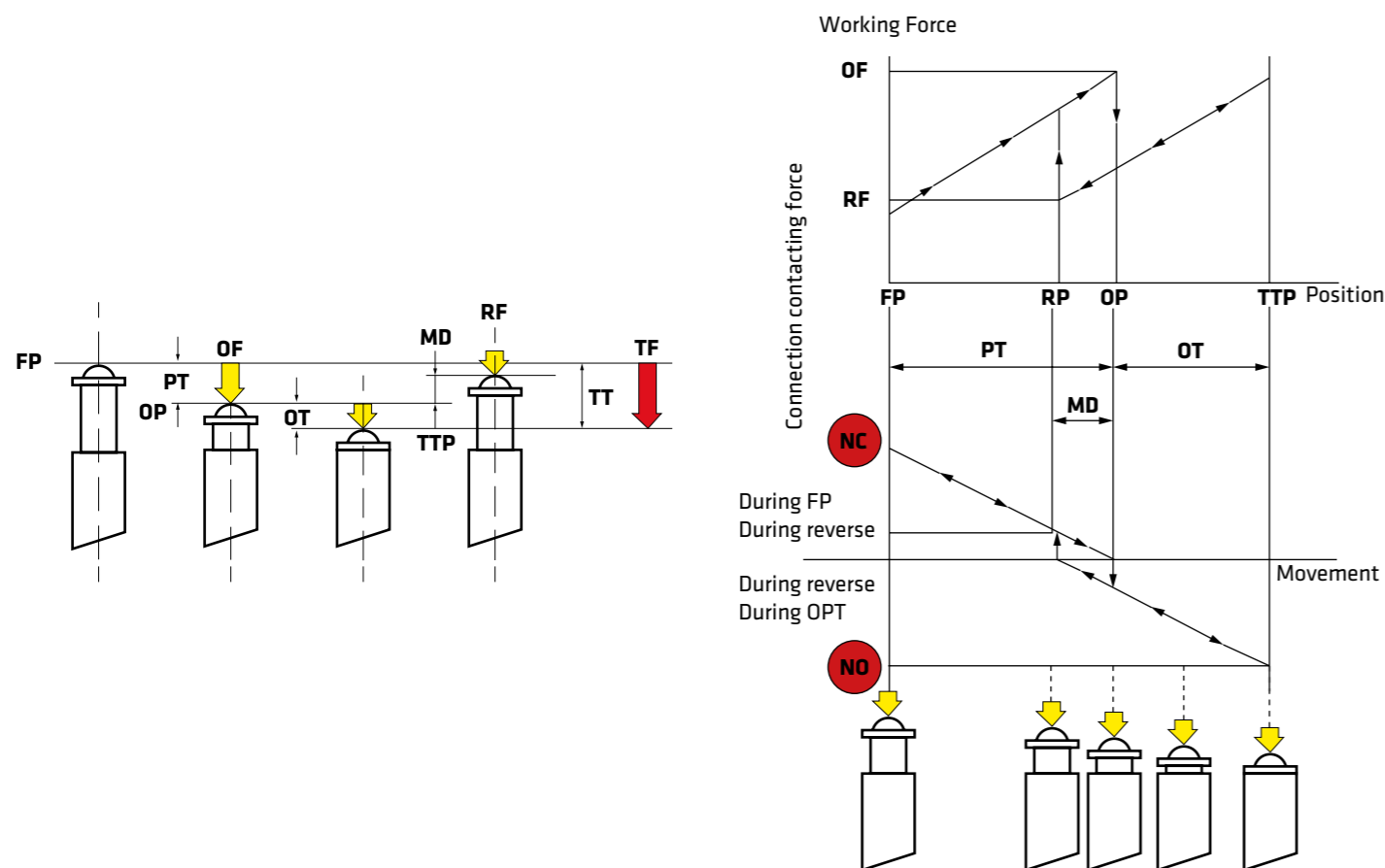
**OPERATION DEVICE (PLUNGER)**

Applying force to the actioning lever of a snap switch releases the snap action mechanism, which in turn triggers the switching operation.

**POSITIVE OPENING**

An additional internal mechanism, made of non-resilient parts, forces the opening of NC contacts in case of accidental welding (overload, short circuit, ...) or snap action mechanism failure. Models fitted with this function are particularly suitable for safety related applications according to ISO13849-1 or EN60204-1. To ensure proper functioning of positive opening operation, the operating device must be depressed up to the positive opening position.

**SNAP ACTION SWITCH TECHNOLOGY**



**OPERATING CHARACTERISTICS**

**OF - OPERATING FORCE**

The force applied to the actuator required to operate the switch contacts.

**RF - RELEASING FORCE**

The value to which the force on the actuator must be reduced to allow the contacts to return to the normal position.

**TF - TOTAL FORCE**

The force applied to the actuator required to reach the stopper from the free position.

**FP - FREE POSITION**

The initial position of the actuator when there is no external force applied.

**OP - OPERATING POSITION**

The position of the actuator at which the contacts snap to the operated contact position.

**RP - RELEASING POSITION**

The position of the actuator at which the contacts snap from the operated contact position to their normal position.

**TTP - TOTAL TRAVEL POSITION**

The position of the actuator when it reaches the stopper.

**PT - PRETRAVEL**

The distance or angle through which the actuator moves from the free position to the operating position.

**OT - OVERTRAVEL**

The distance or angle of the actuator movement beyond the operating position.

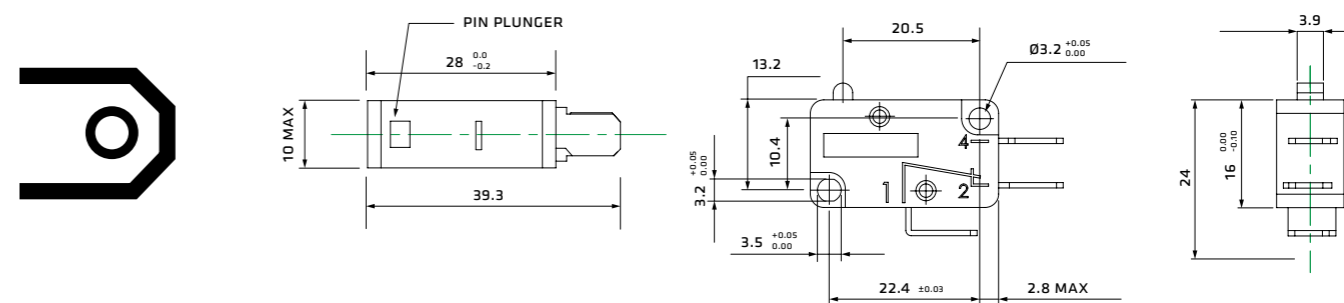
**MD - MOVEMENT DIFFERENTIAL**

The distance or angle from the operating position to the realising position.

**TT - TOTAL TRAVEL**

The sum of the pretravel and total overtravel expressed by distance or angle.

**MFI SERIES - FASTON TERMINAL 6.3 x 0.8 MICRO SWITCHES**



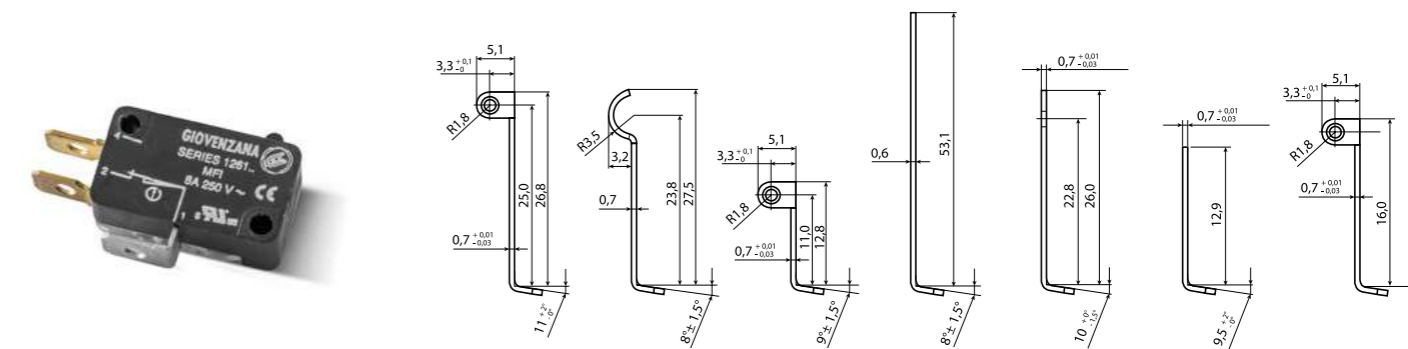
**GENERAL DATA**

Operating temperature	Min -25°C (-18°F) / Max 85°C (+185°F)
Mechanical life expectancy	1x10 <sup>6</sup> cycles min
Electrically life expectancy	5x10 <sup>5</sup> cycles min
Termination type	6.3 x 0.8 faston terminal

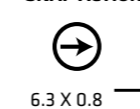
**ELECTRICAL DATA**

Rated Thermal current (Ith)	8A
Rated insulation voltage (Ui)	250V
Rated impulse withstand voltage (Uimp)	1500V
Rated operating current (Ie)	8A - 250V resistive load, 3A - 250V inductive load
Pollution degree	2
Protection against electric shock	Class II

**LEVER TYPES**



**1NC-1NO SNAP ACTION**



		PIN PLUNGER	LONG ROLLER LEVER	SIMULATED ROLLER LEVER	ROLLER LEVER	LONG LEVER	LEVER	SHORT LEVER	ROLLER LEVER L=16 mm
		MFI	MFI.1	MFI.2	MFI.3	MFI.4	MFI.5	MFI.6	MFI.7
Operating force - OF	max N	5,1	3,2	3,2	5,1	1,3	3,2	5,1	4,5
Resetting force - RF	min N	1,9	1,0	1,0	1,9	0,15	1,2	1,9	1,9
Max Pre travel - PT	max mm	1,4	3,3	3,3	1,4	7,6	3,3	1,6	1,8
Min Over travel - OT	min mm	0,8	0,8	0,8	0,6	2,2	0,8	0,6	0,8
Tripping position - OP	mm	14,4 ± 0,5	20,3 ± 1,2	18,4 ± 1,2	20,3 ± 0,8	15,1 ± 2,6	15,1 ± 1,2	15,1 ± 0,6	21,1 ± 0,6

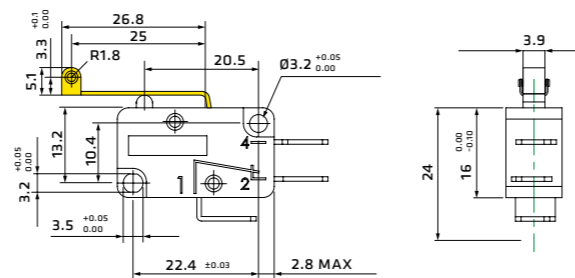
**MFI SERIES - FASTON TERMINAL 6.3 x 0.8 MICRO SWITCHES**

**MFI.1: Long roller lever**

1NC-1NO  
SNAP ACTION



6.3 X 0.8



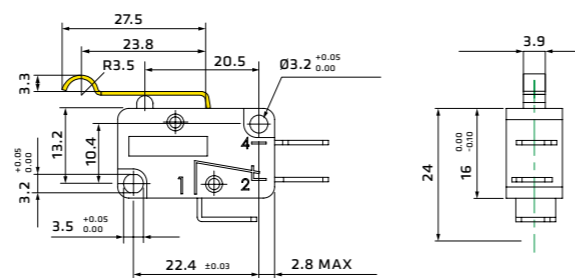
TYPE	OF max	RF min	PT max	OT min	OP ±1mm
MFI.1	3.2 N	1.0 N	3.3 mm	0.8 mm	20.3 ± 1.2 mm

**MFI.2: Simulated roller lever**

1NC-1NO  
SNAP ACTION



6.3 X 0.8



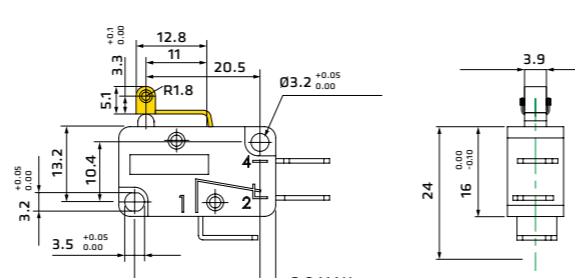
TYPE	OF max	RF min	PT max	OT min	OP ±1mm
MFI.2	3.2 N	1.0 N	3.3 mm	0.8 mm	18.4 ± 1.2 mm

**MFI.3: Roller lever**

1NC-1NO  
SNAP ACTION



6.3 X 0.8



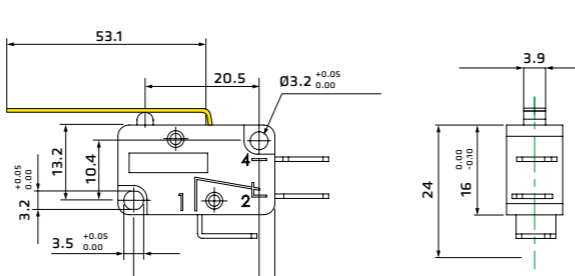
TYPE	OF max	RF min	PT max	OT min	OP ±1mm
MFI.3	5.1 N	1.9 N	1.4 mm	0.6 mm	20.3 ± 0.8 mm

**MFI.4: Long lever**

1NC-1NO  
SNAP ACTION



6.3 X 0.8



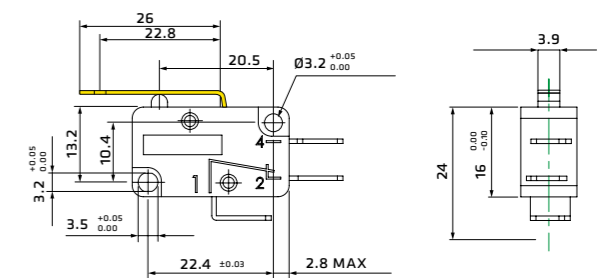
TYPE	OF max	RF min	PT max	OT min	OP ±1mm
MFI.4	1.3 N	0.15 N	7.6 mm	2.2 mm	15.1 ± 2.6 mm

**MFI.5: Lever**

1NC-1NO  
SNAP ACTION



6.3 X 0.8



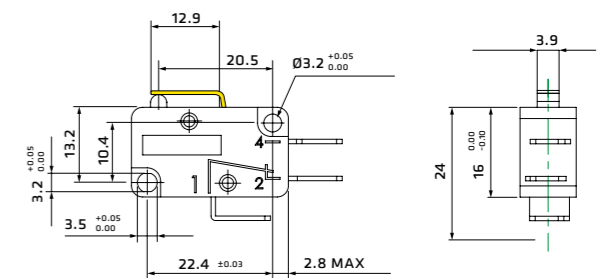
TYPE	OF max	RF min	PT max	OT min	OP ±1mm
MFI.5	3.2 N	1.2 N	3.3 mm	0.8 mm	15.1 ± 1.2 mm

**MFI.6: Short Lever**

1NC-1NO  
SNAP ACTION



6.3 X 0.8



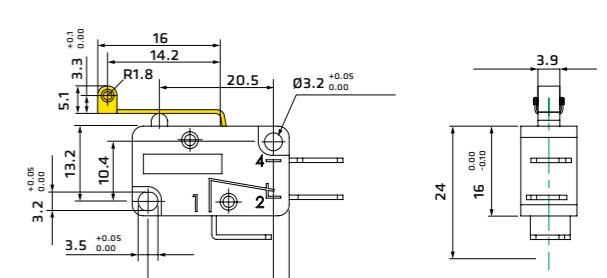
TYPE	OF max	RF min	PT max	OT min	OP ±1mm
MFI.6	5.1 N	1.9 N	1.6 mm	0.6 mm	15.1 ± 0.6 mm

**MFI.7: Roller lever L=16mm**

1NC-1NO  
SNAP ACTION

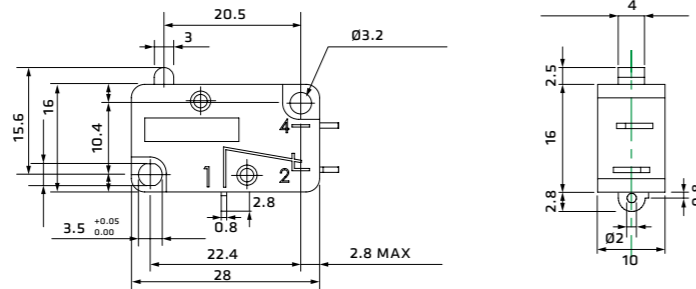


6.3 X 0.8



TYPE	OF max	RF min	PT max	OT min	OP ±1mm
MFI.7	4.5 N	1.9 N	1.8 mm	0.8 mm	21.1 ± 0.6 mm

**MFI.S SERIES - SOLDER MICRO SWITCHES**



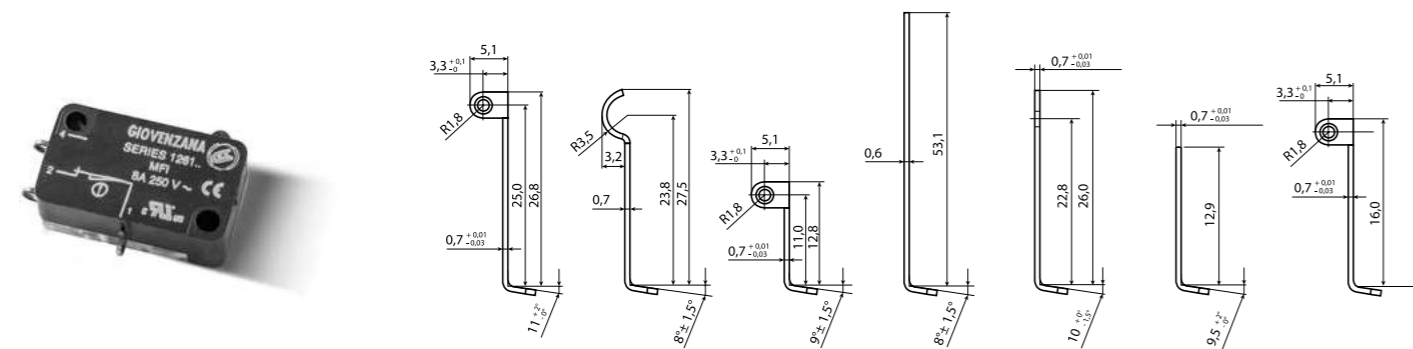
**GENERAL DATA**

Operating temperature	Min -25°C (-18°F) / Max 85°C (+185°F)
Mechanical life expectancy	1x10 <sup>6</sup> cycles min
Electrically life expectancy	5x10 <sup>5</sup> cycles min
Termination type	Solder

**ELECTRICAL DATA**

Rated Thermal current (I <sub>th</sub> )	8A
Rated insulation voltage (U <sub>i</sub> )	250V
Rated impulse withstand voltage (U <sub>imp</sub> )	1500V
Rated operating current (I <sub>e</sub> )	8A - 250V resistive load, 3A - 250V inductive load
Pollution degree	2
Protection against electric shock	Class II

**LEVER TYPES**



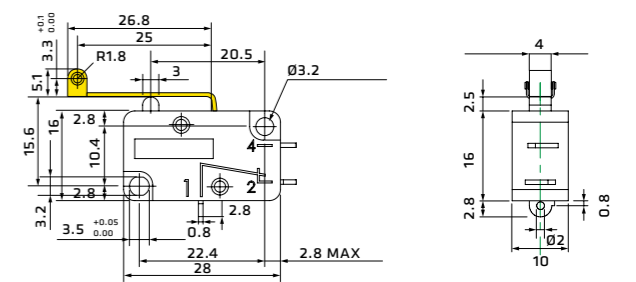
		PIN PLUNGER	LONG ROLLER LEVER	SIMULATED ROLLER LEVER	ROLLER LEVER	LONG LEVER	LEVER	SHORT LEVER	ROLLER LEVER L=16 mm
		MFI.S	MFI.1S	MFI.2S	MFI.3S	MFI.4S	MFI.5S	MFI.6S	MFI.7S
Operating force - OF	max N	5,1	3,2	3,2	5,1	1,3	3,2	5,1	4,5
Resetting force - RF	min N	1,9	1,0	1,0	1,9	0,15	1,2	1,9	1,9
Max Pre travel - PT	max mm	1,4	3,3	3,3	1,4	7,6	3,3	1,6	1,8
Min Over travel - OT	min mm	0,8	0,8	0,8	0,6	2,2	0,8	0,6	0,8
Tripping position - OP	mm	14,4 ± 0,5	20,3 ± 1,2	18,4 ± 1,2	20,3 ± 0,8	15,1 ± 2,6	15,1 ± 1,2	15,1 ± 0,6	21,1 ± 0,6

**MFI.1S: Long roller lever**

1NC-1NO  
SNAP ACTION

Solder

TYPE	OF max	RF min	PT max	OT min	OP ±1mm
MFI.1S	3.2 N	1.0 N	3.3 mm	0.8 mm	20.3 ± 1.2 mm

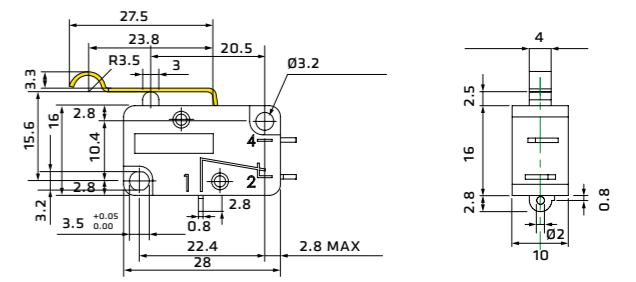


**MFI.2S: Simulated roller lever**

1NC-1NO  
SNAP ACTION

Solder

TYPE	OF max	RF min	PT max	OT min	OP ±1mm
MFI.2S	3.2 N	1.0 N	3.3 mm	0.8 mm	18.4 ± 1.2 mm

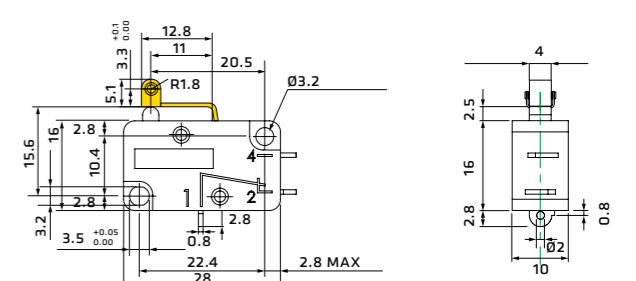


**MFI.3S: Roller lever**

1NC-1NO  
SNAP ACTION

Solder

TYPE	OF max	RF min	PT max	OT min	OP ±1mm
MFI.3S	5.1 N	1.9 N	1.4 mm	0.6 mm	20.3 ± 0.8 mm

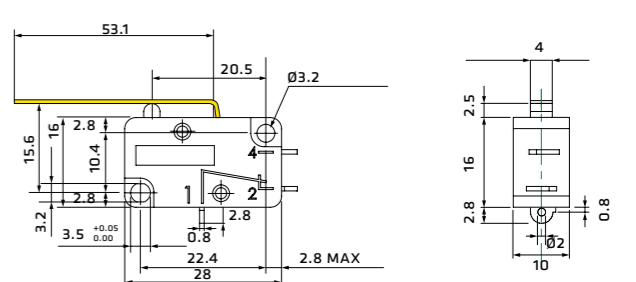


**MFI.4S: Long lever**

1NC-1NO  
SNAP ACTION

Solder

TYPE	OF max	RF min	PT max	OT min	OP ±1mm
MFI.4S	1.3 N	0.15 N	7.6 mm	2.2 mm	15.1 ± 2.6 mm



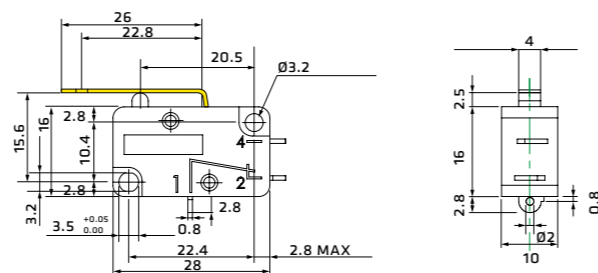
**MFI.S SERIES - SOLDER MICRO SWITCHES**

**MFI.5S: Lever**

1NC-1NO  
SNAP ACTION



Solder



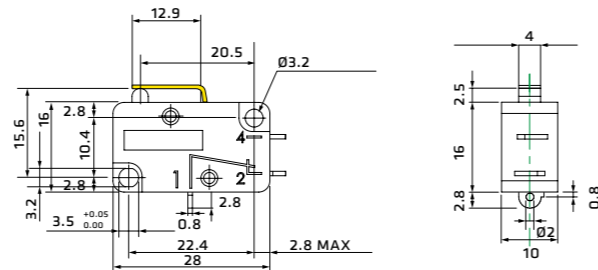
TYPE	OF max	RF min	PT max	OT min	OP ±1mm
MFI.5S	3.2 N	1.2 N	3.3 mm	0.8 mm	15.1 ± 1.2 mm

**MFI.6S: Short Lever**

1NC-1NO  
SNAP ACTION



Solder



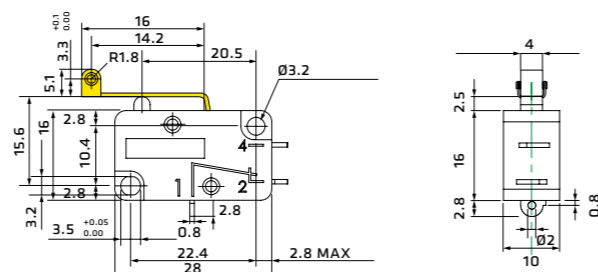
TYPE	OF max	RF min	PT max	OT min	OP ±1mm
MFI.6S	5.1 N	1.9 N	1.6 mm	0.6 mm	15.1 ± 0.6 mm

**MFI.7S: Roller lever L=16mm**

1NC-1NO  
SNAP ACTION

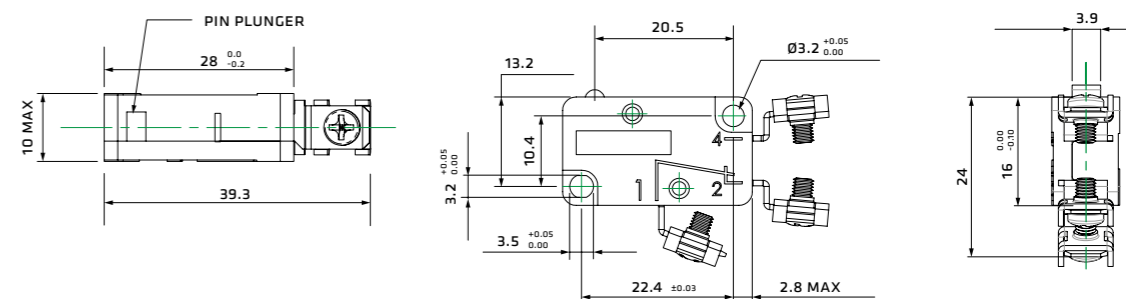
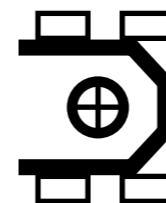


Solder



TYPE	OF max	RF min	PT max	OT min	OP ±1mm
MFI.7S	4.5 N	1.9 N	1.8 mm	0.8 mm	21.1 ± 0.6 mm

**MFI.ST SERIES - SCREW TERMINAL MICRO SWITCHES**



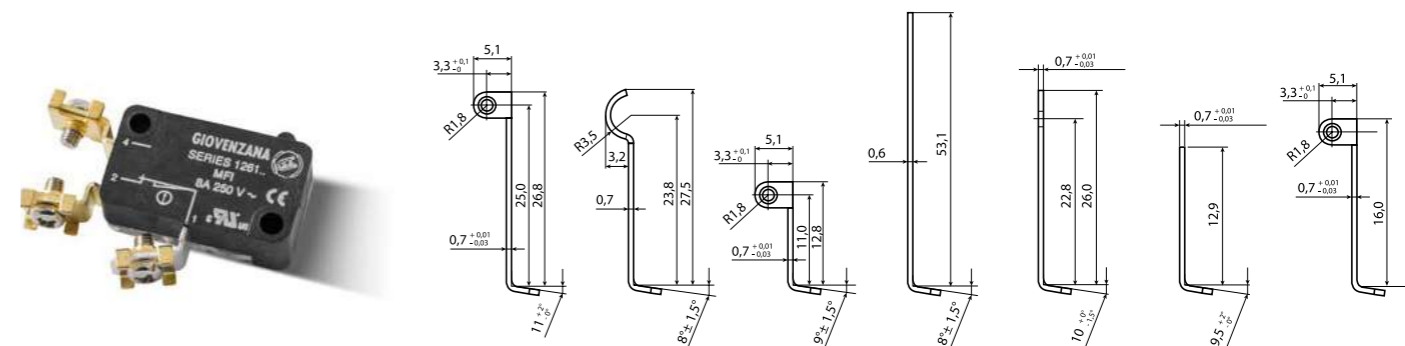
**GENERAL DATA**

Operating temperature	Min -25°C (-18°F) / Max 85°C (+185°F)
Mechanical life expectancy	1x10 <sup>6</sup> cycles min
Electrically life expectancy	5x10 <sup>5</sup> cycles min
Termination type	Screw terminal

**ELECTRICAL DATA**

Rated Thermal current (Ith)	8A
Rated insulation voltage (Ui)	250V
Rated impulse withstand voltage (Uimp)	1500V
Rated operating current (Ie)	8A - 250V resistive load, 3A - 250V inductive load
Pollution degree	2
Protection against electric shock	Class II

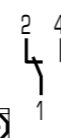
**LEVER TYPES**



1NC-1NO  
SNAP ACTION



Screw Terminal



	PIN PLUNGER	LONG ROLLER LEVER	SIMULATED ROLLER LEVER	ROLLER LEVER	LONG LEVER	LEVER	SHORT LEVER	ROLLER LEVER L=16 mm
--	-------------	-------------------	------------------------	--------------	------------	-------	-------------	----------------------

		MFI.1ST	MFI.2ST	MFI.3ST	MFI.4ST	MFI.5ST	MFI.6ST	MFI.7ST
Operating force - OF	max N	5,1	3,2	3,2	5,1	1,3	3,2	4,5
Resetting force - RF	min N	1,9	1,0	1,0	1,9	0,15	1,2	1,9
Max Pre travel - PT	max mm	1,4	3,3	3,3	1,4	7,6	3,3	1,8
Min Over travel - OT	min mm	0,8	0,8	0,8	0,6	2,2	0,8	0,8
Tripping position - OP	mm	14,4 ± 0,5	20,3 ± 1,2	18,4 ± 1,2	20,3 ± 0,8	15,1 ± 2,6	15,1 ± 1,2	21,1 ± 0,6

**MFI.1ST SERIES - SCREW TERMINAL MICRO SWITCHES**

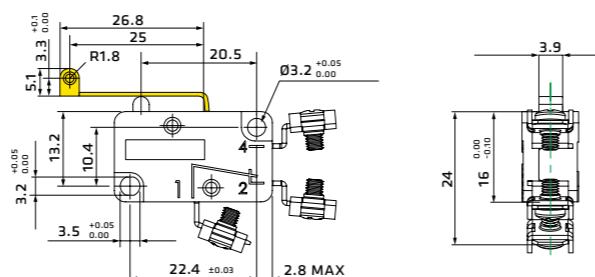
**MFI.1ST: Long roller lever**

1NC-1NO

SNAP ACTION



Screw Terminal



TYPE	OF max	RF min	PT max	OT min	OP ±1mm
MFI.1ST	3.2 N	1.0 N	3.3 mm	0.8 mm	20.3 ± 1.2 mm

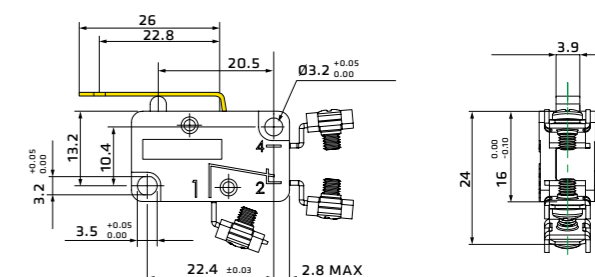
**MFI.5ST: Lever**

1NC-1NO

SNAP ACTION



Screw Terminal



TYPE	OF max	RF min	PT max	OT min	OP ±1mm
MFI.5ST	3.2 N	1.2 N	3.3 mm	0.8 mm	15.1 ± 1.2 mm

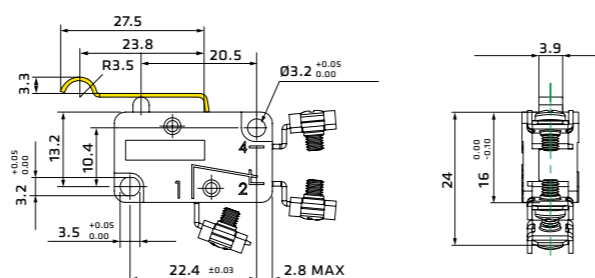
**MFI.2ST: Simulated roller lever**

1NC-1NO

SNAP ACTION



Screw Terminal



TYPE	OF max	RF min	PT max	OT min	OP ±1mm
MFI.2ST	3.2 N	1.0 N	3.3 mm	0.8 mm	18.4 ± 1.2 mm

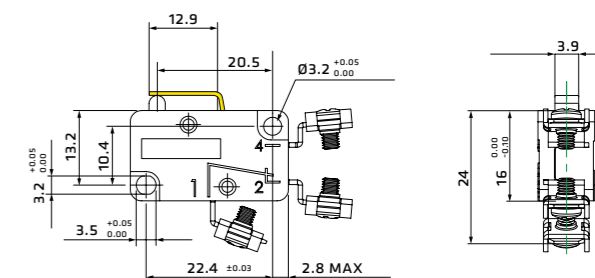
**MFI.6ST: Short Lever**

1NC-1NO

SNAP ACTION



Screw Terminal



TYPE	OF max	RF min	PT max	OT min	OP ±1mm
MFI.6ST	5.1 N	1.9 N	1.6 mm	0.6 mm	15.1 ± 0.6 mm

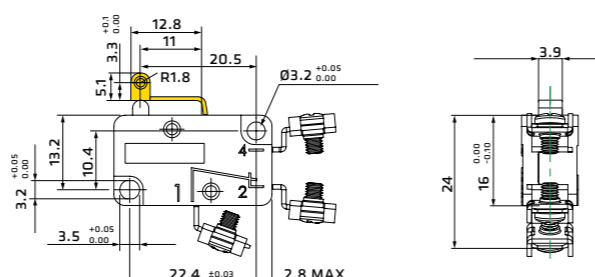
**MFI.3ST: Roller lever**

1NC-1NO

SNAP ACTION



Screw Terminal



TYPE	OF max	RF min	PT max	OT min	OP ±1mm
MFI.3ST	5.1 N	1.9 N	1.4 mm	0.6 mm	20.3 ± 0.8 mm

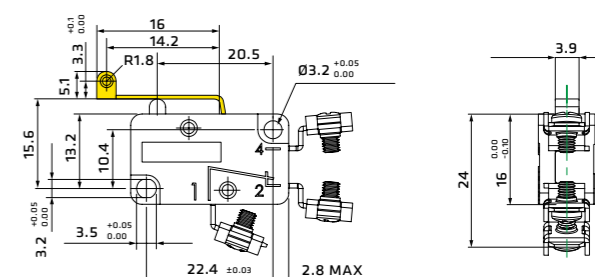
**MFI.7ST: Roller lever L=16mm**

1NC-1NO

SNAP ACTION



Screw Terminal



TYPE	OF max	RF min	PT max	OT min	OP ±1mm
MFI.7ST	4.5 N	1.9 N	1.8 mm	0.8 mm	21.1 ± 0.6 mm

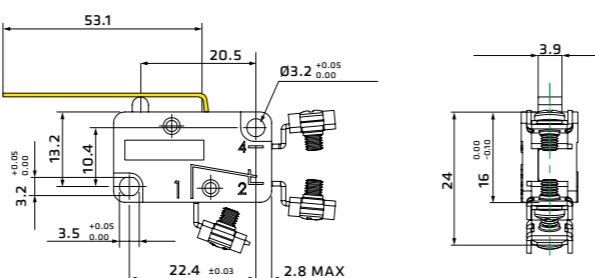
**MFI.4ST: Long lever**

1NC-1NO

SNAP ACTION

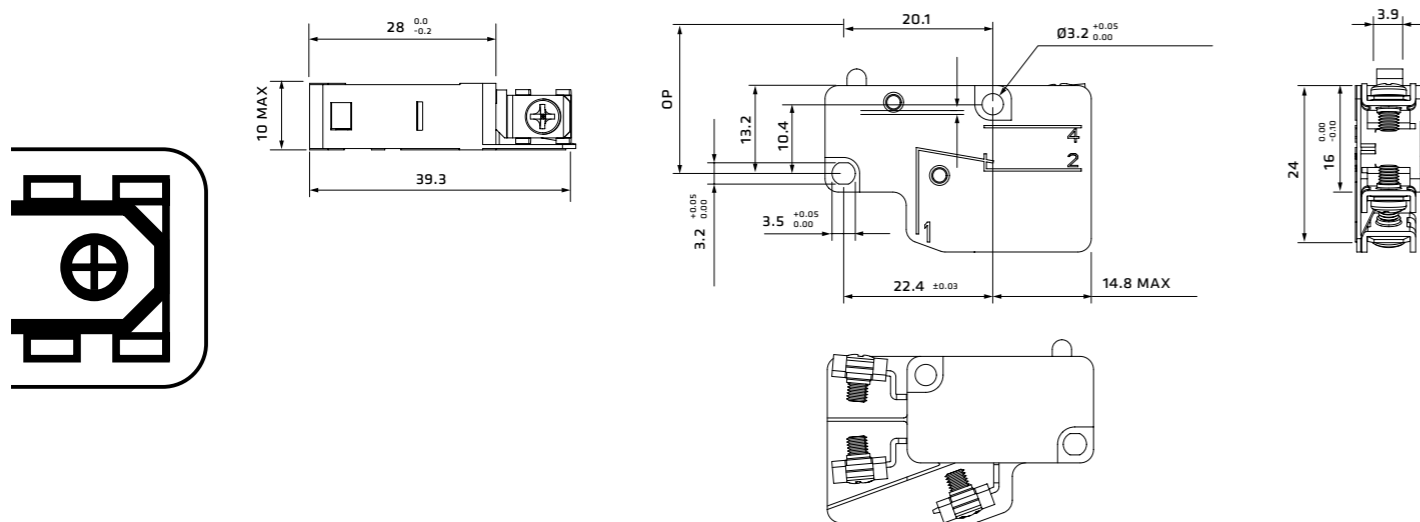


Screw Terminal



TYPE	OF max	RF min	PT max	OT min	OP ±1mm
MFI.4ST	1.3 N	0.15 N	7.6 mm	2.2 mm	15.1 ± 2.6 mm

**MFI.STP SERIES - SCREW TERMINAL + PLATE PROTECTION MICRO SWITCHES**



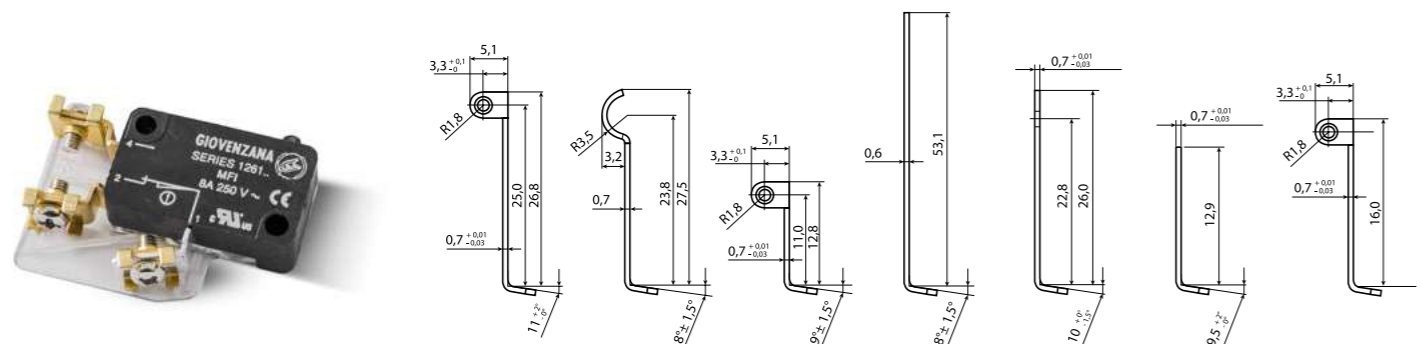
**GENERAL DATA**

<b>Operating temperature</b>	Min -25°C (-18°F) / Max 85°C (+185°F)
<b>Mechanical life expectancy</b>	1x10 <sup>6</sup> cycles min
<b>Electrically life expectancy</b>	5x10 <sup>5</sup> cycles min
<b>Termination type</b>	Screw terminal and plate protection

**ELECTRICAL DATA**

<b>Rated Thermal current (I<sub>th</sub>)</b>	8A
<b>Rated insulation voltage (U<sub>i</sub>)</b>	250V
<b>Rated impulse withstand voltage (U<sub>imp</sub>)</b>	1500V
<b>Rated operating current (I<sub>e</sub>)</b>	8A - 250V resistive load, 3A - 250V inductive load
<b>Pollution degree</b>	2
<b>Protection against electric shock</b>	Class II

**LEVER TYPES**



<b>1NC-1NO SNAP ACTION</b>	2	4						
	<b>PIN PLUNGER</b>	<b>LONG ROLLER LEVER</b>	<b>SIMULATED ROLLER LEVER</b>	<b>ROLLER LEVER</b>	<b>LONG LEVER</b>	<b>LEVER</b>	<b>SHORT LEVER</b>	<b>ROLLER LEVER L=16 mm</b>

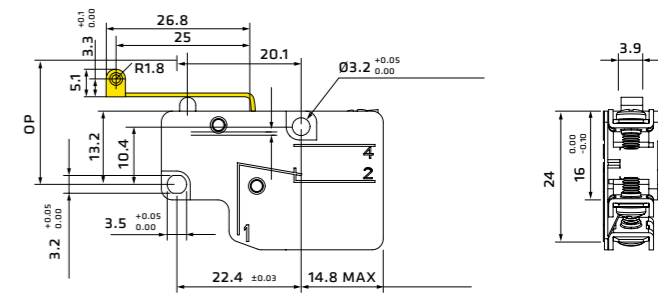
		MFI.STP	MFI.1STP	MFI.2STP	MFI.3STP	MFI.4STP	MFI.5STP	MFI.6STP	MFI.7STP
<b>Operating force - OF</b>	max N	5,1	3,2	3,2	5,1	1,3	3,2	5,1	4,5
<b>Resetting force - RF</b>	min N	1,9	1,0	1,0	1,9	0,15	1,2	1,9	1,9
<b>Max Pre travel - PT</b>	max mm	1,4	3,3	3,3	1,4	7,6	3,3	1,6	1,8
<b>Min Over travel - OT</b>	min mm	0,8	0,8	0,8	0,6	2,2	0,8	0,6	0,8
<b>Tripping position - OP</b>	mm	14,4 ± 0,5	20,3 ± 1,2	18,4 ± 1,2	20,3 ± 0,8	15,1 ± 2,6	15,1 ± 1,2	15,1 ± 0,6	21,1 ± 0,6

**MFI.1STP: Long roller lever**

**1NC-1NO SNAP ACTION**

Screw Terminals  
Plate Protection

TYPE	OF max	RF min	PT max	OT min	OP ±1mm
MFI.1STP	3.2 N	1.0 N	3.3 mm	0.8 mm	20.3 ± 1.2 mm

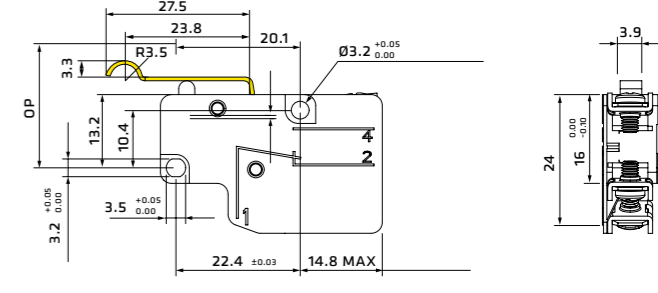


**MFI.2STP: Simulated roller lever**

**1NC-1NO SNAP ACTION**

Screw Terminals  
Plate Protection

TYPE	OF max	RF min	PT max	OT min	OP ±1mm
MFI.2STP	3.2 N	1.0 N	3.3 mm	0.8 mm	18.4 ± 1.2 mm

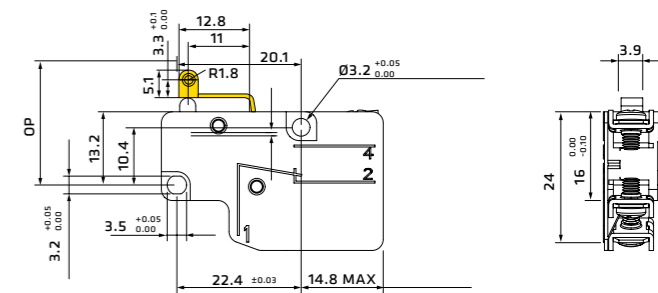


**MFI.3STP: Roller lever**

**1NC-1NO SNAP ACTION**

Screw Terminals  
Plate Protection

TYPE	OF max	RF min	PT max	OT min	OP ±1mm
MFI.3STP	5.1 N	1.9 N	1.4 mm	0.6 mm	20.3 ± 0.8 mm

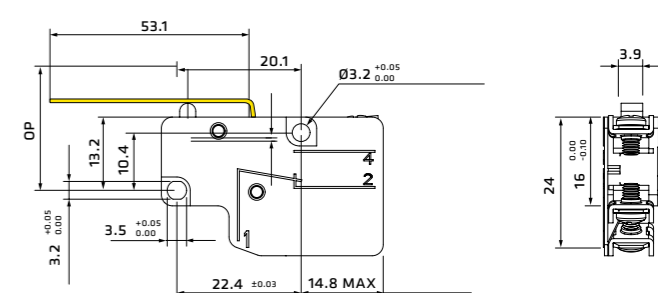


**MFI.4STP: Long lever**

**1NC-1NO SNAP ACTION**

Screw Terminals  
Plate Protection

TYPE	OF max	RF min	PT max	OT min	OP ±1mm
MFI.4STP	1.3 N	0.15 N	7.6 mm	2.2 mm	15.1 ± 2.6 mm



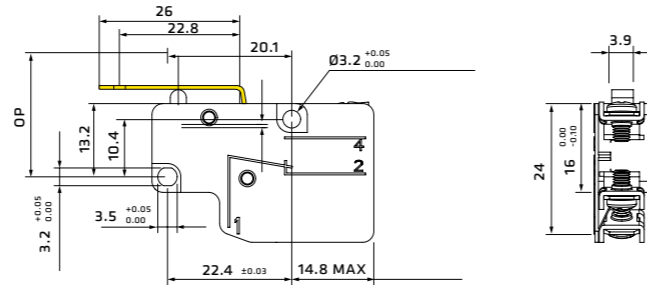
**MFI.STP SERIES - SCREW TERMINAL + PLATE PROTECTION MICRO SWITCHES**

**MFI.5STP: Lever**

1NC-1NO  
SNAP ACTION



Screw Terminals  
Plate Protection



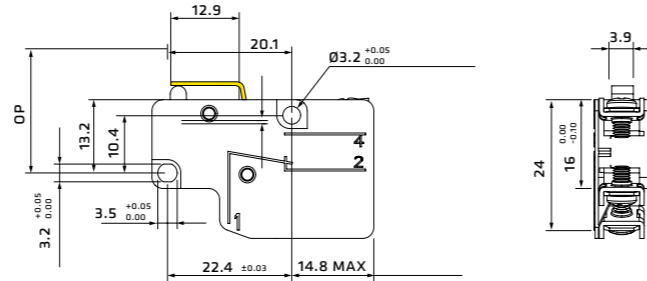
TYPE	OF max	RF min	PT max	OT min	OP ±1mm
MFI.5STP	3.2 N	1.2 N	3.3 mm	0.8 mm	15.1 ± 1.2 mm

**MFI.6STP: Short Lever**

1NC-1NO  
SNAP ACTION



Screw Terminals  
Plate Protection



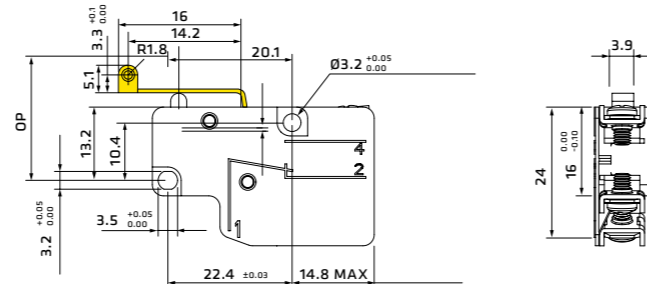
TYPE	OF max	RF min	PT max	OT min	OP ±1mm
MFI.6STP	5.1 N	1.9 N	1.6 mm	0.6 mm	15.1 ± 0.6 mm

**MFI.7STP: Roller lever L=16mm**

1NC-1NO  
SNAP ACTION

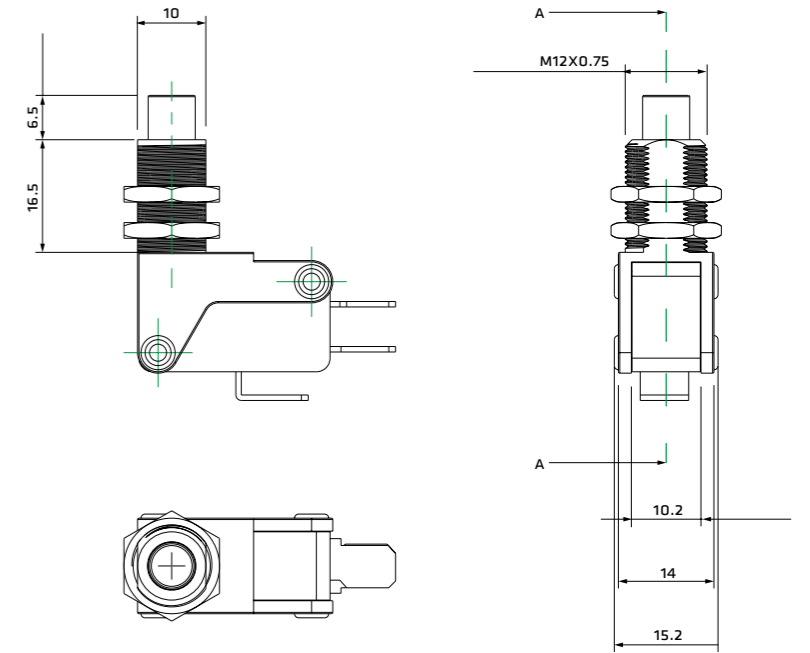
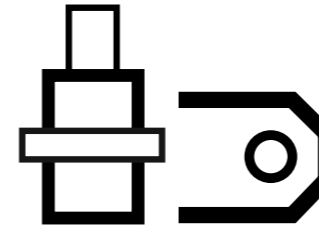


Screw Terminals  
Plate Protection



TYPE	OF max	RF min	PT max	OT min	OP ±1mm
MFI.7STP	4.5 N	1.9 N	1.8 mm	0.8 mm	21.1 ± 0.6 mm

**MFI.T - MICRO SWITCH WITH TOWER ACTUATOR AND THREADED FLANGE**



**GENERAL DATA**

Operating temperature	Min -25°C (-18°F) / Max 85°C (+185°F)
Mechanical life expectancy	1x10 <sup>6</sup> cycles min
Electrically life expectancy	5x10 <sup>5</sup> cycles min
Termination type	Tower actuator - Faston Terminals

**ELECTRICAL DATA**

Rated thermal current (I <sub>th</sub> )	8A
Rated insulation voltage (U <sub>i</sub> )	250V
Rated impulse withstand voltage (U <sub>imp</sub> )	1500V
Rated operating current (I <sub>e</sub> )	8A - 250V resistive load, 3A - 250V inductive load
Pollution degree	2
Protection against electric shock	Class II

