

WARNING HORNS

TECHNICAL DATA

- Continuous operation.
- Frequency: **G75:** 50 Hz - **G100:** 300÷350 Hz.
- Sound-pressure level (at 1 meter): **G75:** 88 dB (A) - **G100:** 93.5 dB (A).
- Wall mounted.
- Protection class (IEC/EN 60529): G75: IP30 - G100: IP65 double insulated.
- Terminal type: **G75:** 3 way terminal (2+T) - **G100:** 2 way terminal.



G75 LINE (Ø 75)			G100 LINE (Ø 100)		
SUPPLY	CONSUMPTION	CODE	SUPPLY	CONSUMPTION	CODE
24 AC	190 mA	G75.24	24 AC	415 mA	G100.24
48 AC	80 mA	G75.48	48 AC	210 mA	G100.48
110 AC	28 mA	G75.110	110 AC	90 mA	G100.110
230 AC	20 mA	G75.230	230 AC	42 mA	G100.230
24 DC	40 mA	G75.24DC			
48 DC	-	G75.48DC			



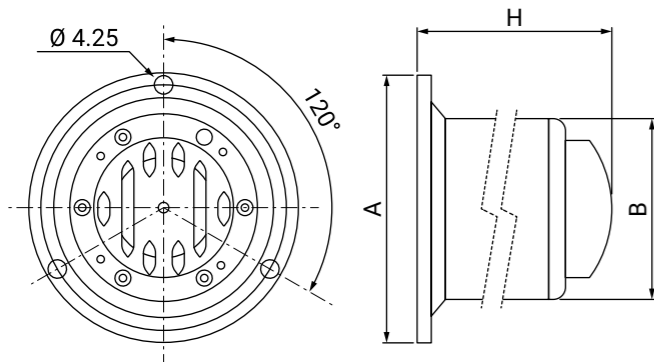
BOX - G75 LINE

11710009



BOX - G100 LINE

11710010



G75 LINE	G100 LINE
A = Ø 95.5	A = Ø 120
B = Ø 76.5	B = Ø 95.5
H = 56	H = 58

NOTES

WARNING HORNS