



REGOLUS SWITCH DISCONNECTORS

SGN Series

EXECUTION OVERVIEW AND GENERAL CHARACTERISTICS

TECHNICAL CHARACTERISTICS

REGOLUS SWITCH DISCONNECTORS

The disconnectors Regolus Series, built to the most stringent European and international standards (IEC / EN 60947-3, UL508), meet all the safety requirements.



SGN SERIES

The disconnectors modular SGN Series from 125A to 160A, 3 poles have the possibility to install additional poles, auxiliary contacts and terminal IP20 protections.

GENERAL CHARACTERISTICS

- ⊕ Rated current from 125A to 160A
- ⊕ 3 Poles (AC/DC)
- ⊕ Additional pole (4th pole) and auxiliary contact
- ⊕ Mechanism with two stable positions ON-OFF
- ⊕ Locking handle (OFF position)
- ⊕ Independent manual operation (according to EN 60947-3)
- ⊕ Nr. 6 air-openings available to optimize heat dissipation
- ⊕ Optimized for DIN rail (box) and panel mounting

AVAILABLE VERSIONS

- ⊕ Switch disconnectors 6 poles and changeover
- ⊕ Panel mounting Screw Fixing
- ⊕ Base Mounting
- ⊕ Door locking
- ⊕ Direct command

COMPLY WITH RULES

IEC/EN 60947-3, UL508.

SERIES		SGN125 - SGN160	
Material Group	EN 60947-1	II	
Pollution Grade	EN 60947-1	3	
Flammability	UL94	VO (Live Electric parts)	
Ambient Temperature	°C	Operating: -25 +55	
	°C	Storage: -30 +70	
Climate Withstand	IEC 68 part 2-3	Constant Hot Damp	
	IEC 68 part 2-30	Cyclical Hot Damp	
Connections	Terminal Block Caliber	EN60947-1	
	Terminal Screw	A11	
	Screwing Torque	M 8	
	EN60947-1	6 Nm	
	UL508	53 lb. in. (6 Nm)	
Connectable Section	Flexible Conductors n°1 min/max	mm ²	
		6 - 25	
	AWG	10 - 2	
	Solid Conductors n°1 min/max	mm ²	
	AWG	10 - 35	
		10 - 2	
Contacts		Slow Opening Double-Break	
Opening Angles		90°	
Mechanical Lifetime			
at 120 operations per hour	nr. of cycles	100.000	
Maximum Altitude	Until 2000 mt	Derating	
	Over 2000 mt	Standard	
	Voltage Derating (V)	< 1% each 100 mt	
	Power Derating (A)	< 1% each 1000 mt	

CERTIFICATIONS		SGN125	SGN160
CE	CE mark - Europa	■	■
cUL	cUL Listed - USA and Canada	●	●

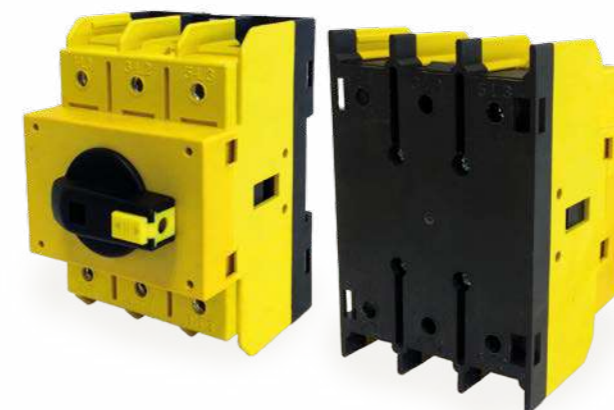
EN 60947-3 CHARACTERISTICS			SGN125	SGN160
Rated operating voltage Ue	V		690	690
Rated insulation voltage Ui	V		800	800
Rated impulse withstand voltage Uimp (sectionable)	kV		8	8
Rated thermal current Ith	A		125	160
Rated thermal current in enclosed Ithe	A		125	160
Frequency	Hz		50/60	50/60

RATED OPERATING CURRENT Ie: alternate current			SGN125	SGN160
AC-21A Switching resistive loads with light overloads	690V	A	125	160
AC-22A Switching mixed resistive and inductive loads at light overloads	500V	A	125	160
	690V	A	125	160
AC-23A Periodic switching of motors	230V	A	-	-
3 phases - 3 poles	400V	A	125	160
	500V	A	100	125
	690V	A	80	100
DC-21B (4P Series positive opening)	600V	A	10	10

SHORT CIRCUIT CHARACTERISTICS			SGN125	SGN160
Rated short-time short circuit withstand current Icw (1 s)	A		3000	3000
Rated short circuit making capacity Icm	A		4500	4500
Conditional rated short circuit withstand current	kA		10 10	10 10
Fuse rating gG	500V	A	-	-
	690V	A	125	125

UL 508 CHARACTERISTICS			SGN125	SGN160
General Use	600V AC	A	125	150
Standard motor load	240V AC	HP	25	25
3 phases - 3 poles	480V AC	HP	50	50
	600V AC	HP	60	60

Box Execution



Panel Mounting Execution



BODIES | SWITCH D. 6 POLES & CHANGEOVERS 3 POLES

SGN Series

PANEL MOUNTING

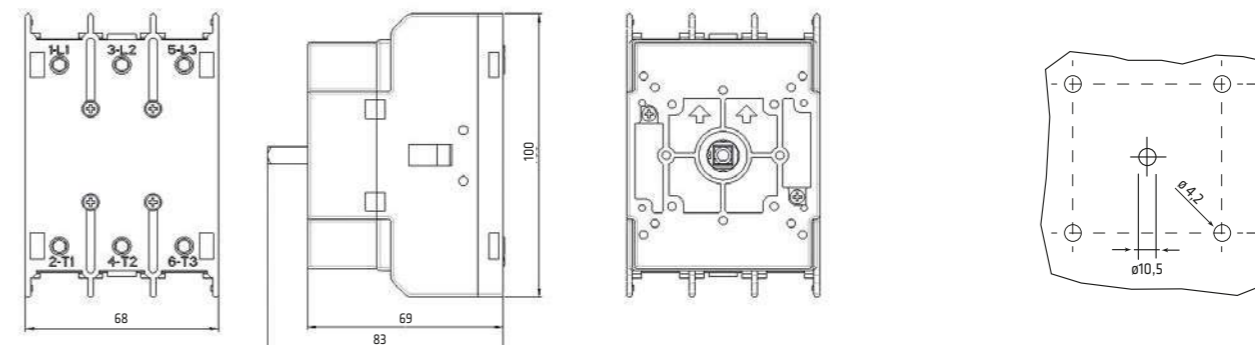
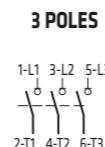
Dimensions and details of fixing holes

TYPE R



- Screw fixing.
- See page 51 for combinable actuators.

SERIES	AC-21A	AC-23A	CODE
	AMP. 690V	AMP. 400V	3 POLES
SQN125	125	125	SQN125003R
SQN160	160	160	SQN160003R



BASE MOUNTING

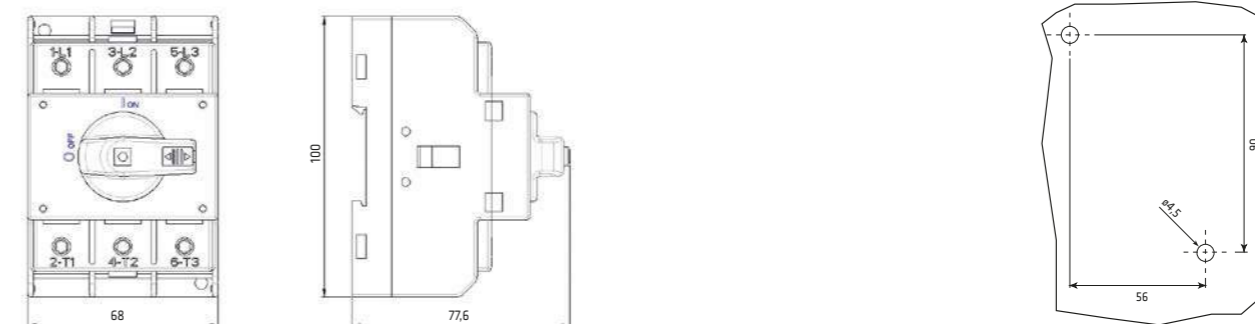
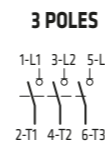
Dimensions and details of fixing holes

TYPE B



- Direct command and Door Locking
- Fixing box DIN RAIL DIN-EN 50022-35.
- Black knob locking (1 lock) in "0-OFF" position.
- See page 51 for combinable actuators.

SERIES	AC-21A	AC-23A	CODE
	AMP. 690V	AMP. 400V	3 POLES
SQN125	125	125	SQN125003B
SQN160	160	160	SQN160003B



SWITCH D. 6 POLES & CHANGEOVERS 3 POLES

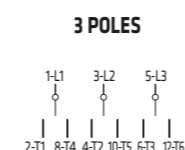
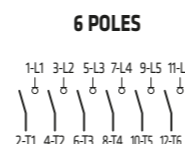
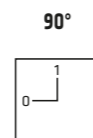
Dimensions and details of fixing holes

TYPE R



- Screw fixing.
- See page 51 for combinable actuators.

SERIES	AC-21A	AC-23A	PANEL MOUNTING CODE	
	AMP. 690V	AMP. 400V	6 POLES	CHANGEOVER 3 POLES
SQN125	125	125	SQN125006R	SQN125033R
SQN160	160	160	SQN160006R	SQN160033R

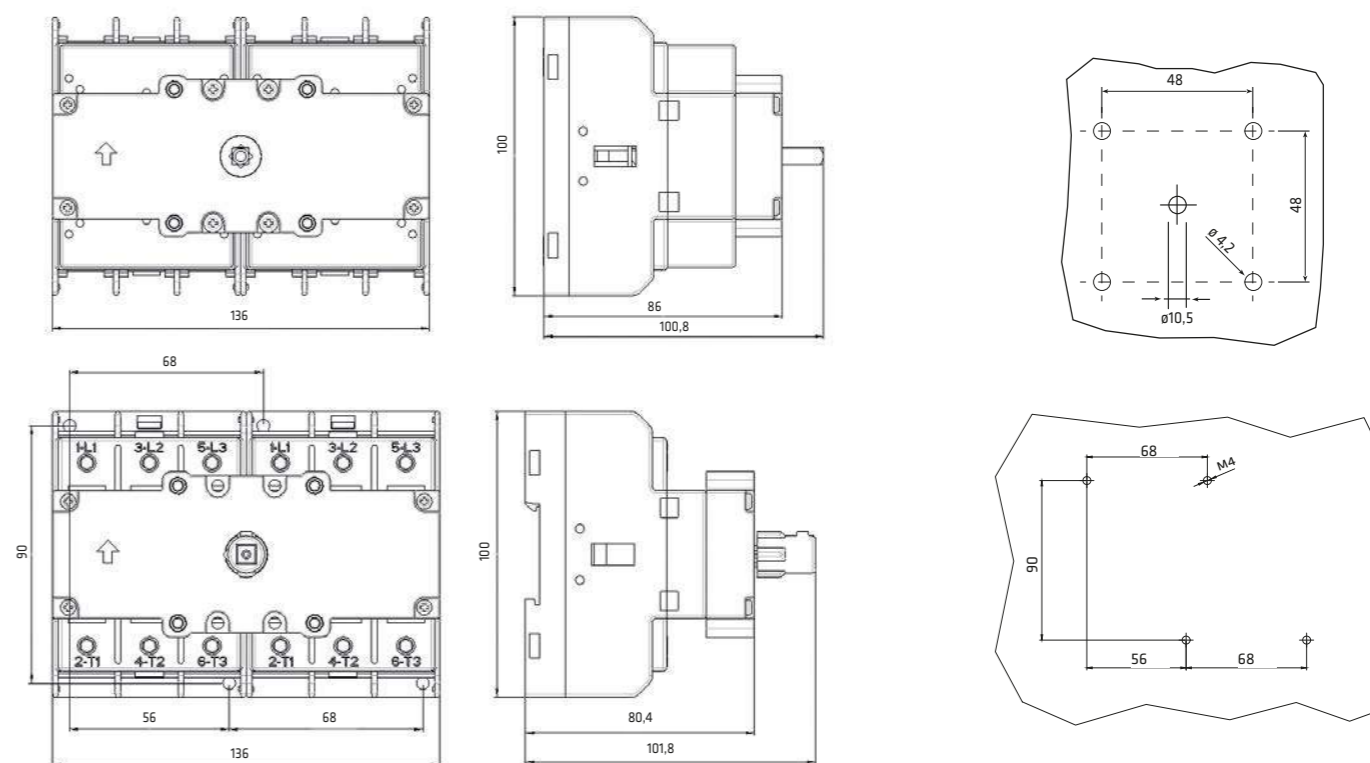


TYPE B



- Fixing box DIN RAIL DIN-EN 50022-35.
- Suitable for Door Locking actuators with shaft fixed on switch disconnectors body.
- See page 51 for combinable actuators.

SERIES	AC-21A	AC-23A	BASE MOUNTING CODE	
	AMP. 690V	AMP. 400V	6 POLI	CHANGEOVER 3 POLES
SQN125	125	125	SQN125006B	SQN125033B
SQN160	160	160	SQN160006B	SQN160033B





ADDITIONAL POLES

PANEL MOUNTING				BASE MOUNTING			
SERIES	DESCRIPTION	CODE	DIAGRAM	SERIES	DESCRIPTION	CODE	DIAGRAM
SQN125 SQN160	Additional Pole NO	SQN125AFPR SQN160AFPR	7 — 8	SQN125 SQN160	Additional Pole NO	SQN125AFPB SQN160AFPB	7 — 8
	4 th Pole (early make contact)	SQN125ANIR SQN160ANIR	N — N		4 th Pole (early make contact)	SQN125ANIB SQN160ANIB	N — N
	Neutral Terminal	SQN125ANPR SQN160ANPR	N — N		Neutral Terminal	SQN125ANPB SQN160ANPB	N — N
	Ground Terminal	SQN125APER	PE — PE		Ground Terminal	SQN125APEB	PE — PE
		SQN160APER	PE — PE			SQN160APEB	PE — PE

AUXILIARY CONTACTS

PANEL MOUNTING				BASE MOUNTING			
SERIES	DESCRIPTION	CODE	DIAGRAM	SERIES	DESCRIPTION	CODE	DIAGRAM
SQN125 SQN160	AUX 1NC	SQ010AS5R	1 — 2 (1NC)	SQN125 SQN160	AUX 1NC	SQ010AS5B	1 — 2 (1NC)
	AUX 1NO	SQ010AS6R	3 — 4 (1NO)		AUX 1NO	SQ010AS6B	3 — 4 (1NO)

TERMINAL PROTECTION AND SHAFT EXTENSION

PANEL & BASE MOUNTING		BASE MOUNTING	
3 POLES	1 POLE	SHAFT EXTENSION □ 6 FOR DOOR INTERLOCK	
20900064	20900065	L 185 mm	20900010
		L 300 mm	20900011

SQN125 - SQN160 SERIES | EN 60529 - IP65 - UL50 Type 1 - 4 - 4x -12 (◆) Protection NEMA 4x.

ACTUATORS					
<ul style="list-style-type: none"> Grey Plate Black knob Locking Facility (Max 3 locks) 					
SERIE	FRONT PLATE SIZE	PANEL MOUNTING TYPE R CODE	DOOR LOCKING TYPE B CODE >	LEGEND PLATE	
SQN125 - SQN160	ø78	309/0001	311/0001		
		309/0008	311/0008		
<ul style="list-style-type: none"> Yellow Plate Red knob Locking Facility (Max 3 locks) 					
SERIE	FRONT PLATE SIZE	PANEL MOUNTING TYPE R CODE	DOOR LOCKING TYPE B CODE >	LEGEND PLATE	
SQN125 - SQN160	ø78	310/0001	312/0001		
		310/0008	312/0008		
<ul style="list-style-type: none"> Grey Plate Black knob Locking Facility (Max 3 locks) 					
SERIES	FRONT PLATE SIZE	PANEL MOUNTING TYPE R CODE	DOOR LOCKING TYPE B CODE >	LEGEND PLATE	
SQN125 - SQN160	□ 67	319/0001 ◆	321/0001		
		319/0008 ◆	321/0008		
<ul style="list-style-type: none"> Yellow Plate Red knob Locking Facility (Max 3 locks) 					
SERIES	FRONT PLATE SIZE	PANEL MOUNTING TYPE R CODE	DOOR LOCKING TYPE B CODE >	LEGEND PLATE	
SQN125 - SQN160	□ 67	320/0001 ◆	322/0001		
		320/0008 ◆	322/0008		

► The actuator for DOOR LOCKING TYPE B includes the shaft □ 6 L85.



TF8

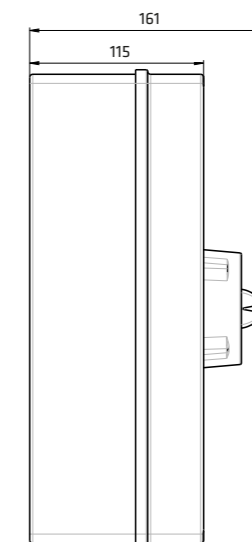
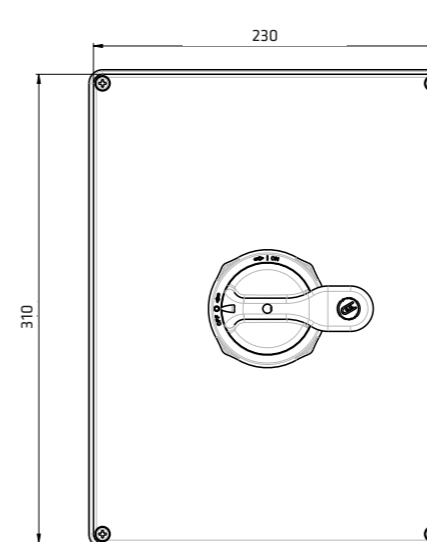
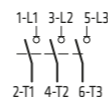
IP65 □

- Opening in "0" position.
- Red knob locking (Max 3 locks) in "0-OFF" position.
- Dimensions: 310x230x115mm.
- Grey box & cover. Red/yellow actuator.



SERIES	AC-21A	AC-23A	CODE
	AMP. 690V	AMP. 400V	3 POLES
SQN125	125	125	SQN125003BTF8
SQN160	160	160	SQN160003BTF8

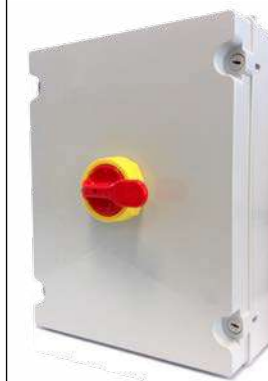
3 POLES		
1-L1	3-L2	5-L3
2-T1	4-T2	6-T3



TF4

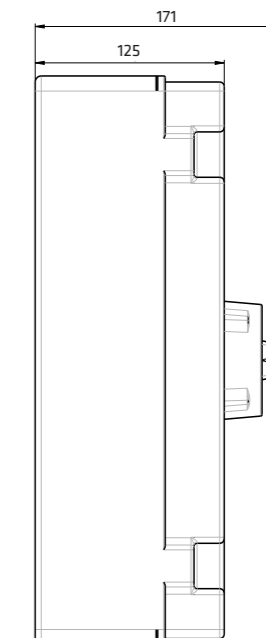
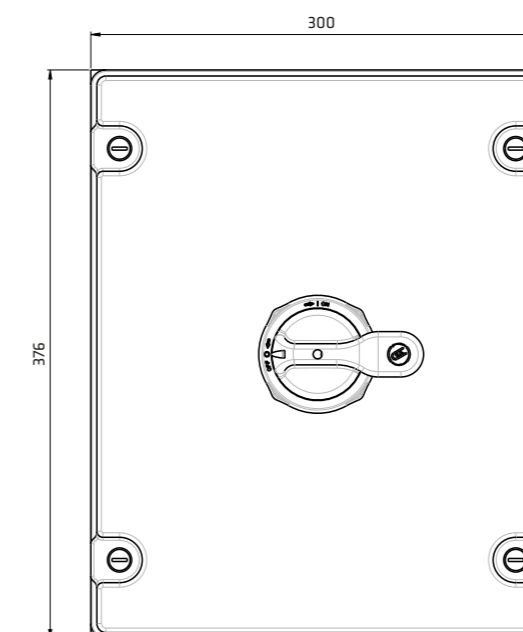
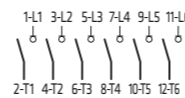
IP65 □

- Opening in "0" position.
- Red knob locking (Max 3 locks) in "0-OFF" position.
- Dimensions: 376x300x125mm.
- Grey box & cover. Red/yellow actuator.



SERIES	AC-21A	AC-23A	CODE
	AMP. 690V	AMP. 400V	6 POLES
SQN125	125	125	SQN125006BTF4
SQN160	160	160	SQN160006BTF4

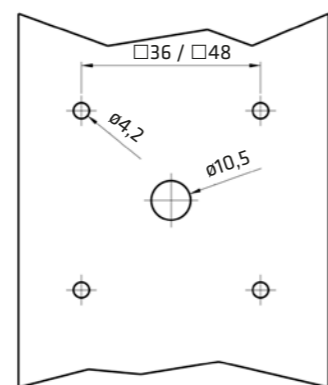
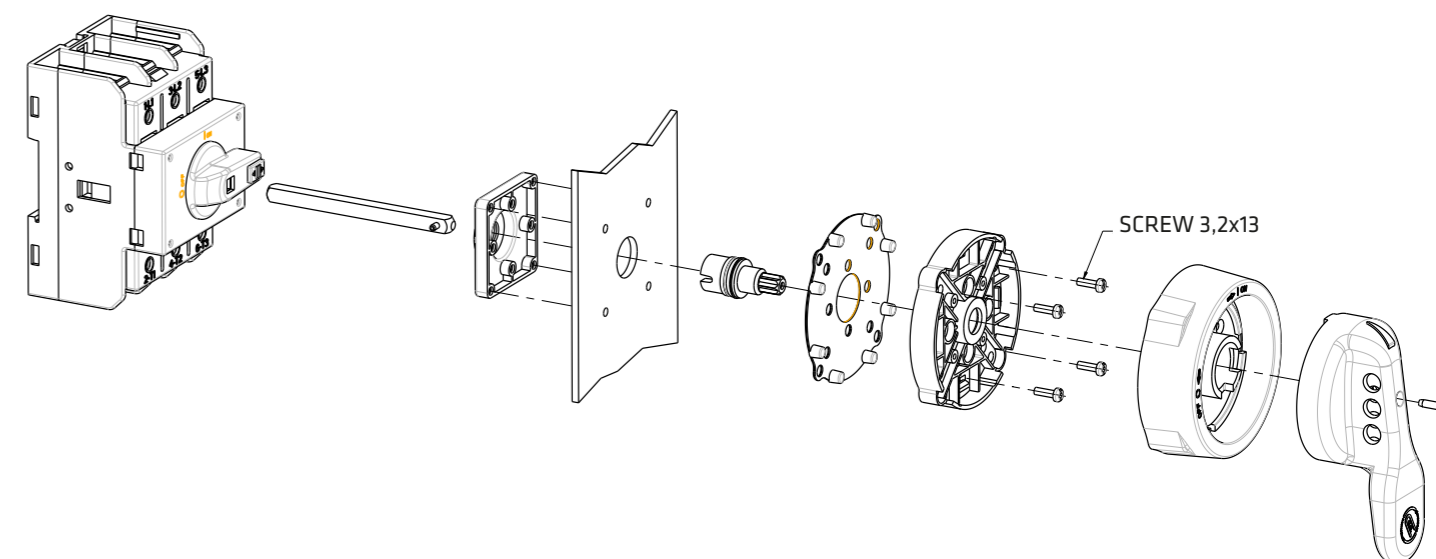
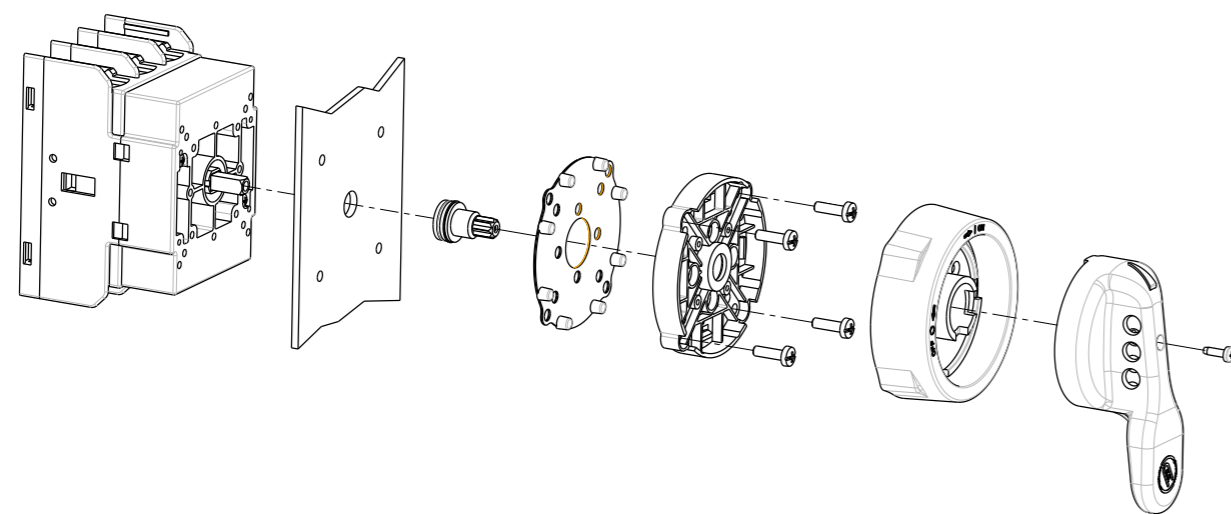
6 POLES					
1-L1	3-L2	5-L3	7-L4	9-L5	11-L6
2-T1	4-T2	6-T3	8-T4	10-T5	12-T6



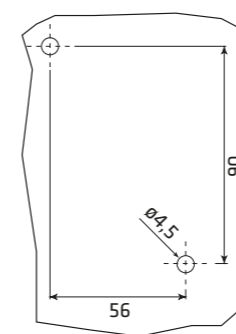
► AVAILABLE ON REQUEST ALSO METAL AND STAINLESS STEEL ENCLOSURES.

PANEL MOUNTING

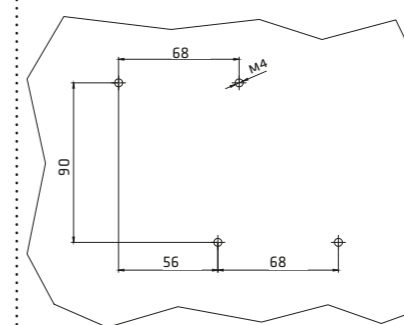
BASE MOUNTING



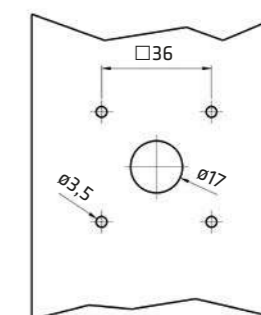
Panel
Screw fixing
3-6 poles



Base
Screw fixing
3 poles



Base
Screw fixing
6 poles



Panel
Screw fixing
3-6 poles