



Single or double foot switches thermoplastic type with the EN ISO 13850 emergency stop option.  
Available with electric or pneumatic controls.

IP65

**SAFETY FOOT SWITCHES**

**Application**

The safety foot switches are used as control switches of machines and plants when the operator must have his hands free to perform other functions.

**Design and mode of operation**

The safety foot switches in thermoplastic material are equipped with a shield to protect against accidental and unintentional actuation due to tool drop or unwanted trampling. In addition they are equipped with non-slip rubber feet and mechanical lock mounted in the pedal to prevent it from operating in the case the foot has not been fully positioned above the pedal.

The version without blocking and without foot protection cap is preferred when the main function is to stop the machine.

The electric foot switches can be equipped with a mushroom button as an emergency to interrupt the circuit even in the case of a actuated pedal. The electric contact exchange occurs when the pedal is completely lowered. The protection degree for single foot switches is IP65, while for double and with emergency mushroom is IP54. All foot switches are compliant with the Machinery Directive and are CE-marked.



**GENERAL CHARACTERISTICS**

Comply with		IEC/EN60947-5-1							
Rated insulation voltage $U_i$	V	690 (pollution class 3)							
Rated impulse withstand voltage $U_{imp}$	kV	4							
Operating frequency	Hz	50/60							
Rated thermal current $I_{th}$	A	10							
Rated operating current Ie:									
AC-15 alternate current	V	24	60	120	240	400	440	500	690
	A	16	12	8	6	4,5	3,5	1	1
DC-13 continuous current	V	24	48	60	110	220			
	A	2	1,2	0,85	0,4	0,25			
Conditional short circuit withstand		1000A - 10A-500V class gG fuses							
Contact impedance	m $\Omega$	$\leq 25$							
Contact type		Slow break double gap contacts							
Positive opening		NC contact with positive opening							
Electric shock protection	IEC 536	Class II							
Protection rating	IEC 529	IP65							
Ambient temperature	$^{\circ}C$	Operating: -25 +70							
	$^{\circ}C$	Storage: -30 +70							
Cable entry		pre-broken hole 16,5 - M20 (with safety)							



PRODUCT	DESCRIPTION	CONTACTS	CODE	MIN. PACK	WEIGHT
	Foot switch with trigger mechanism requiring positive action to allow pedal operation.  Colour: PANTONE 102C	Slow break		Quantity	grams
		1NO	IP7007	1	1.400
		2NO	IP7008	1	1.400
		1NO+1NC	IP7007I	1	1.400
		1NO	IP7009	1	1.400
		Two speeds 1NO+1NO	IP7015	1	1.400

This product is also available in different colors:

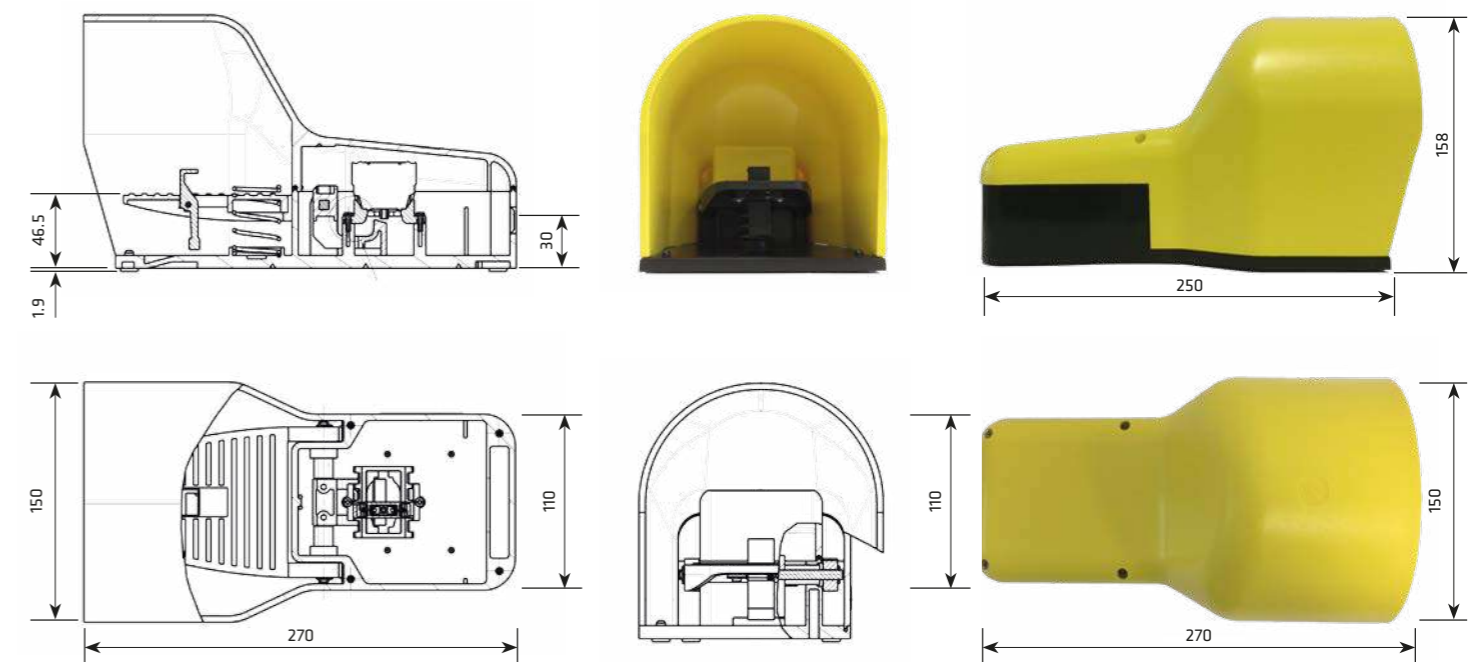
Colour:  
 RAL 7035



Colour:  
 RAL 5010



**DIMENSIONAL DRAWINGS**





**FOOT SWITCHES SERIES | SINGLE FOOT SWITCHES SERIES**

**FOOT SWITCHES SERIES | SINGLE FOOT SWITCHES SERIES**

Single foot switches thermoplastic material.  
Available with electric or pneumatic controls.

IP65 □

**SINGLE FOOT SWITCHES**

**GENERAL CHARACTERISTICS**

**Application**

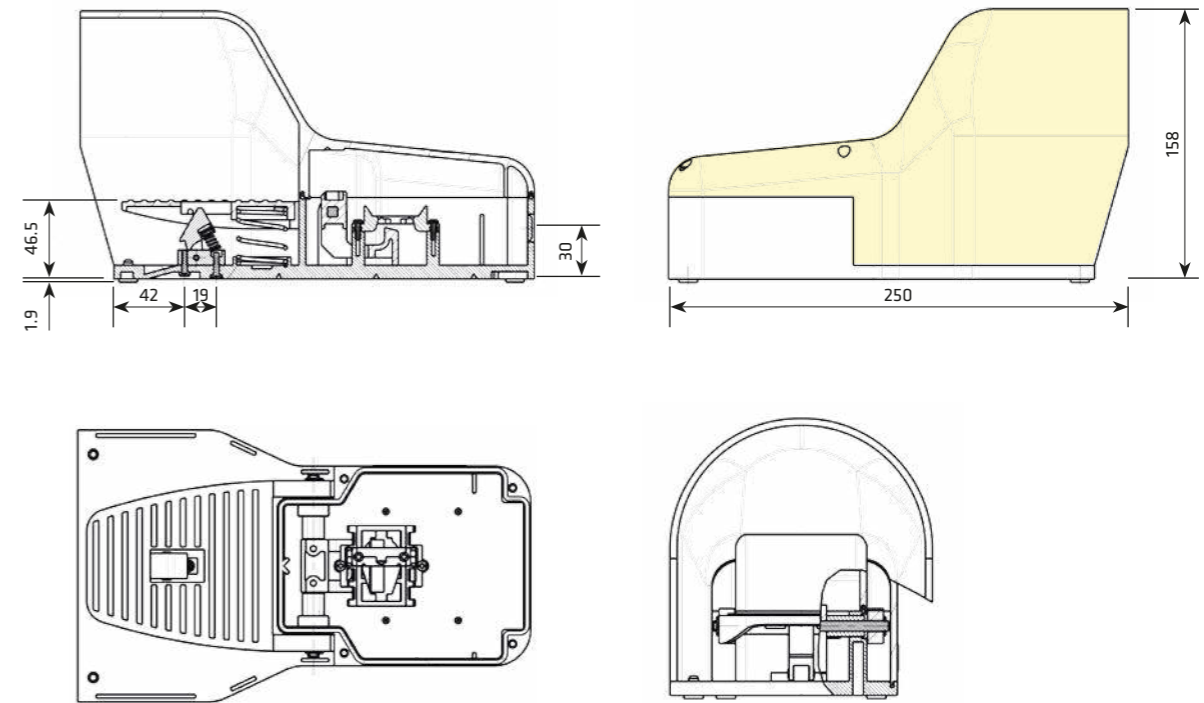
The foot switches are used to start and stop operations and production processes on machinery and plants, where manual operation is impossible. Different foot switches versions are available depending on the ambient conditions and the mechanical behaviour. Applications include use on packaging machines, storage and transport technology as well as on textile machines.

**Configurations**

- Electrical version with NO contacts, single, double speed and with NC contacts with positive opening.
- Pneumatic version with 5 and 2 ways valves.
- With hooking device to keep the pedal lowered and the contact activated until the release is made by the front of the foot.
- The shaft with knob or handle on the tubular is available in the version with an emergency mushroom to carry the foot switch comfortably.

Comply with		IEC/EN60947-5-1
Rated insulation voltage Ui	V	690 (pollution class 3)
Rated impulse withstand voltage Uimp	kV	4
Operating frequency	Hz	50/60
Rated thermal current Ith	A	10
Rated operating current Ie:		
AC-15 alternate current	V	24 60 120 240 400 440 500 690
	A	16 12 8 6 4,5 3,5 1 1
DC-13 continuous current	V	24 48 60 110 220
	A	2 1,2 0,85 0,4 0,25
Conditional short circuit withstand		1000A - 10A-500V class gG fuses
Contact impedance	m Ω	≤25
Contact type		Slow break double gap contacts
Positive opening		NC contact with positive opening
Electric shock protection	IEC 536	Class II
Protection rating	IEC 529	IP65
Ambient temperature	°C	Operating: -25 +70
	°C	Storage: -30 +70
Cable entry		pre-broken hole 16,5 - M20 (with safety)

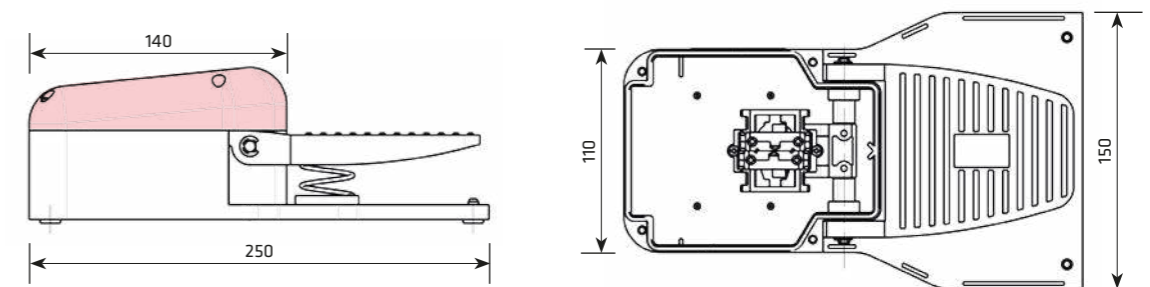
**DIMENSIONAL DRAWINGS**



PRODUCT	DESCRIPTION	CONTACTS	CODE	MIN. PACK	WEIGHT
	Foot switch with pedal latching device and without trigger mechanism.	Slow break		Quantity	grams
		1NO	IP7011	1	1.400
	Colour: ■ PANTONE 102C				

PRODUCT	DESCRIPTION	CONTACTS	CODE	MIN. PACK	WEIGHT
	Foot switch without rest position trigger mechanism.	Slow break		Quantity	grams
		1NO+1NC	IP7006I	1	1.300
	Foot switch with pedal latching device and without trigger mechanism.	1NO+1NC	IP7035	1	1.300
		Colour: ■ RAL 3020			

**DIMENSIONAL DRAWINGS**









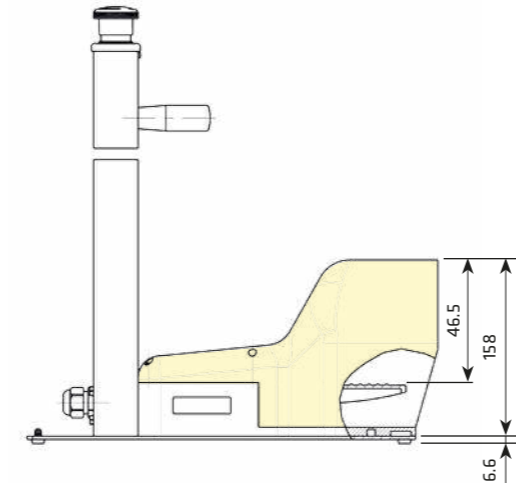
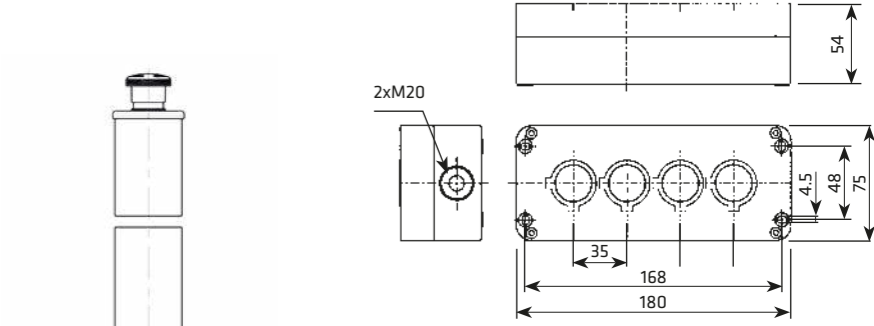
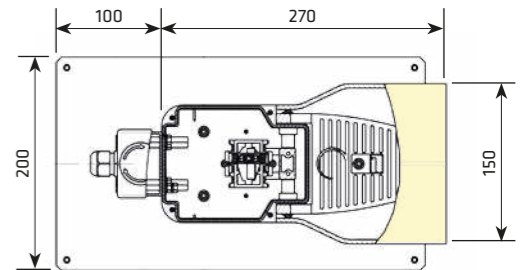
**FOOT SWITCHES SERIES | SINGLE FOOT SWITCHES SERIES**



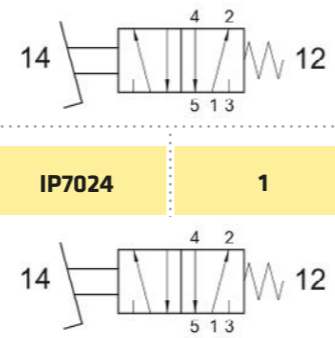

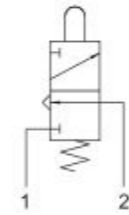
**FOOT SWITCHES SERIES | SINGLE FOOT SWITCHES SERIES**

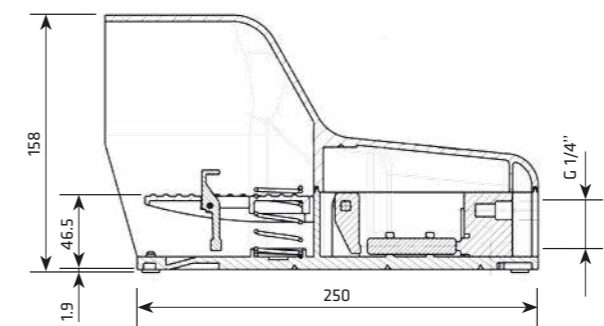
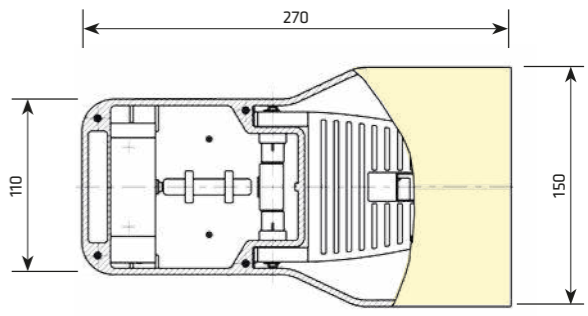
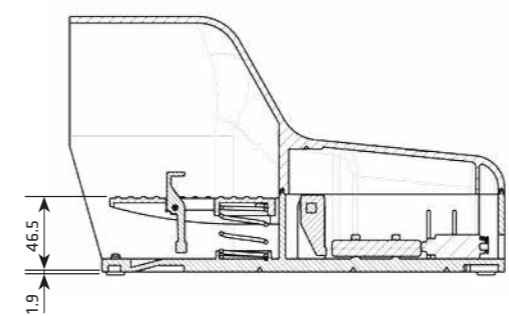
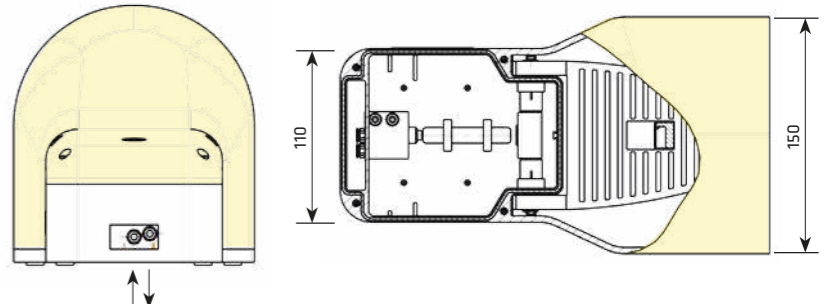
Single foot switches thermoplastic material.  
Available with electric or pneumatic controls.

IP54 □

SINGLE FOOT SWITCHES	DESCRIPTION	CONTACTS	CODE	MIN. PACK	WEIGHT
	<b>Foot switch</b> with trigger mechanism and ENI ISO 13850 emergency stop.  Colour: ■ PANTONE 102C	Slow break		Quantity	grams
		1NO	IP7007EM	1	3.900
		Two speeds 1NO + 1NO	IP7015EM	1	3.910
	<b>ON REQUEST</b>				
	IP7026 with PQ01 station 4 holes with EN ISO 13850 emergency stop.				

DIMENSIONAL DRAWINGS	
	
	

PNEUMATIC SINGLE FOOT SWITCHES	DESCRIPTION	CONTACTS	CODE	MIN. PACK	WEIGHT
	<b>Foot switch</b> pneumatic with trigger mechanism.  Colour: ■ PANTONE 102C	Slow break		Quantity	grams
		With 1/4" 5 ways valve	IP7023	1	1.600
	<b>Foot switch</b> Pneumatic with pedal latching device and without trigger mechanism.  Colour: ■ PANTONE 102C	With 1/4" 5 ways valve	IP7024	1	1.600
					
	<b>Foot switch</b> Pneumatic with trigger mechanism.  Colour: ■ PANTONE 102C	With 3/2" 2 ways valve	IP7032	1	1.600
					

DIMENSIONAL DRAWINGS	
	
	

Working pressure 2:10 bar.



**FOOT SWITCHES SERIES | DOUBLE FOOT SWITCHES SERIES**

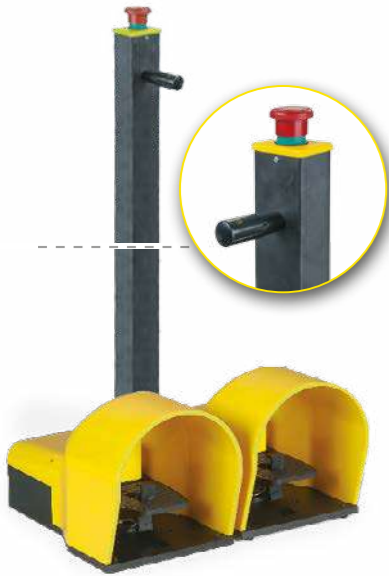
**FOOT SWITCHES SERIES | DOUBLE FOOT SWITCHES SERIES**

Double foot switches thermoplastic type with EN ISO 418 emergency stop option.

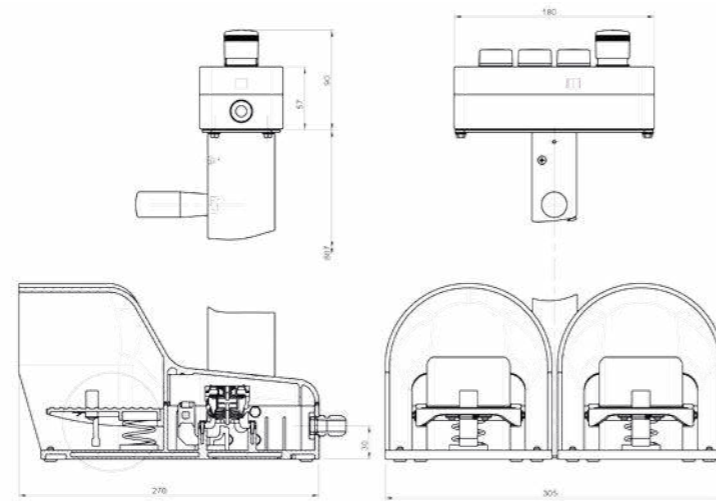
IP54

**DOUBLE FOOT SWITCHES WITH EN 418 EMERGENCY STOP**

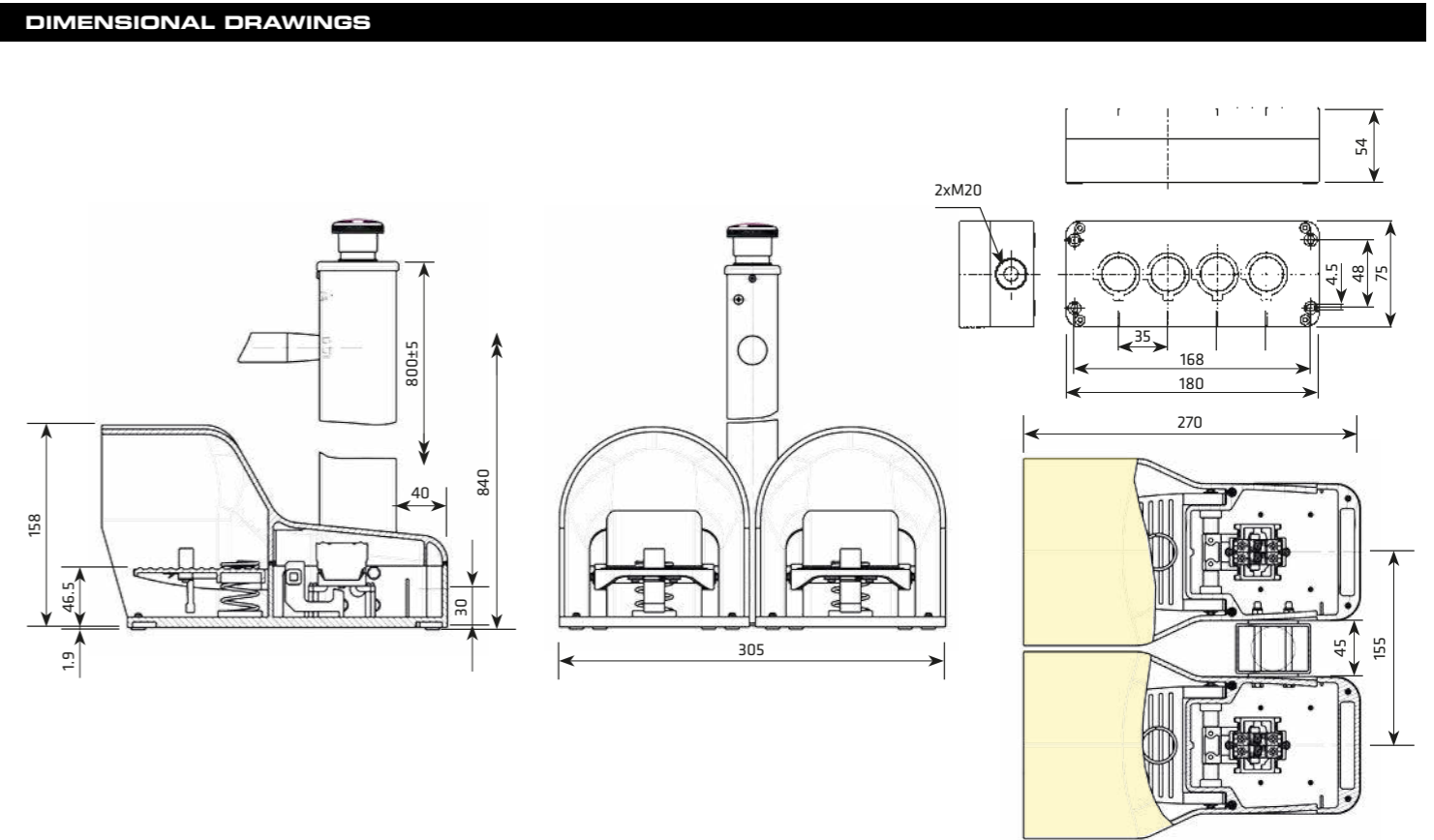
DESCRIPTION	CONTACTS	CODE	MIN. PACK	WEIGHT
Foot switch with trigger mechanism requiring positive action to allow pedal operation.  Colour: ■ PANTONE 102C	Slow break		Quantity	grams
	1NO + 1NO	IP7018EM	1	5.300
	2NO + 2NO	IP7019EM	1	5.300



ON REQUEST



Available double foot switch IP7027 with PQ04 station 4 holes with EN ISO 13850 emergency stop.



Double foot switches thermoplastic type with EN ISO 13850.

IP54

**DOUBLE FOOT SWITCHES**

DESCRIPTION	CONTACTS	CODE	MIN. PACK	WEIGHT
Foot switch with trigger mechanism requiring positive action to allow pedal operation.  Colour: ■ PANTONE 102C	Slow break		Quantity	grams
	1NO + 1NO	IP7018	1	3.100
	2NO + 2NO	IP7019	1	3.100

