



GIOVENZANA
INTERNATIONAL B.V.

PHOENIX CAM SWITCHES
ACCESSORIES



PHOENIX CAM SWITCHES | ACCESSORIES

KNOBS



SERIES	COLOUR	DIMENSIONS	CODE	PROTECTION CLASS	
P012 ... 20 C025 ... 40	Black	ø40 x L50	072	IP40 *IP65 with gasket	
	Red	ø40 x L50	073	IP40 *IP65 with gasket	
	Black	ø44 x L68	081	IP40 *IP65 with gasket	
	Red	ø44 x L68	110	IP40 *IP65 with gasket	
C063 ... 80	Black	ø50 x L68	218	IP40 *IP65 with gasket	
	Red	ø50 x L68	219	IP40 *IP65 with gasket	



SERIES	COLOUR	DIMENSIONS	CODE	PROTECTION CLASS	
P012 ... 20 C025 ... 40	Black	ø34	018	IP40 *IP65 with gasket	
	Red	ø34	111	IP40 *IP65 with gasket	
	Black	ø40	040	IP40 *IP65 with gasket	
	Red	ø40	112	IP40 *IP65 with gasket	



SERIES	COLOUR	DIMENSIONS	CODE	PROTECTION CLASS	
G125 G200	Black	ø50 x L115	460	-	
	Red	ø50 x L115	470	-	

All knobs are supplied with fixing screws.
* See gaskets to page 76.

PHOENIX CAM SWITCHES | ACCESSORIES
PHOENIX CAM SWITCHES | ACCESSORIES
PROTECTIONS

R	BOOT PROTECTION	SERIES	WAFER	DIAMETER	CODE
		P012 P016 P020	Max 3	65	11706031
		SERIES	WAFER	DIAMETER	CODE
		C025 C032 C040	Max 3	85	20101005
		SERIES	WAFER	DIAMETER	CODE
EXTENSION UNIT		P012 P016 P020	2	65	11702038
		SERIES	WAFER	DIAMETER	CODE
		C025 C032 C040	2	85	11706332

R	SOFT BOOT PROTECTION	SERIES	WAFER	DIAMETER	CODE
		P012 P016 P020	Max 3	65	20101007

GASKETS IP65

R	SERIES		CODE
	P012 P016 P020	2800012	
R	SERIES		CODE
	C025 C032 C040	15000015	
R	SERIES		CODE
	C063 C080	15010016	

FIXING KEY

R	FIXING KEY Ø 22,5 mm	
	PCF	

SQUARE LONG DOORLOCK SHAFT

B	□ 5 mm	SERIES	L/mm	CODE
		P012 P016 P020	185	20401089
		SERIES	L/mm	CODE
		C025 C032 C040	300	20401164
		SERIES	L/mm	CODE
	□ 6 mm	C063 C080	300	20900046

PROTECTION/KNOB FOR DOORLOCK SHAFT □ 5mm

B	For maintenance operation, used to control the switch while the door is open and give a protection against injury due to doorlock shaft.	SERIES	CODE
		12 ... 40	11706094

BYPASS PROTECTIONS ø50 WITH LOCKING FACILITY

R	SCREW FIXING	FIXING	CODE
		screw*	PPF3-4
		ø22	PPF3-5
		* Fixing screws are not supplied.	
R	ø22 FIXING	FIXING	CODE
		screw*	PPF3-6
		ø22	PPF3-7
		* Fixing screws are not supplied.	

KT ADAPTOR PLATE IP65 □36 / □48

R	Complete with gasket IP65 and fixing screw.	SERIES	CODE
		12 ... 40	KIT 36/48

IP65 THERMOPLASTIC ENCLOSURES

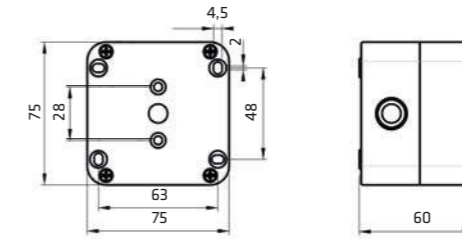


PQCOGN

IP65 □

- Flat cover
- Front knob
- **Dimensions:** 75x75x60 mm
- Black box - grey cover
- Cable entry: 1xM20 + 1xM16

SERIES	WAFER	CODE
P012	Max 2	PQCOGN
P016		
P020		

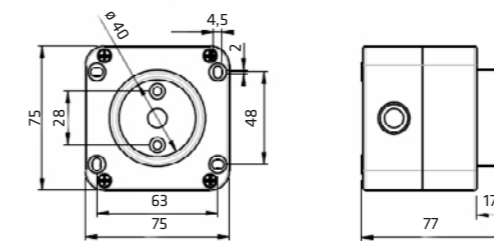


PQCPGN

IP65 □

- Protected cover
- Front knob
- **Dimensions:** 75x75x60 mm
- Black box - grey cover
- Cable entry: 1xM20 + 1xM16

SERIES	WAFER	CODE
P012	Max 2	PQCPGN
P016		
P020		

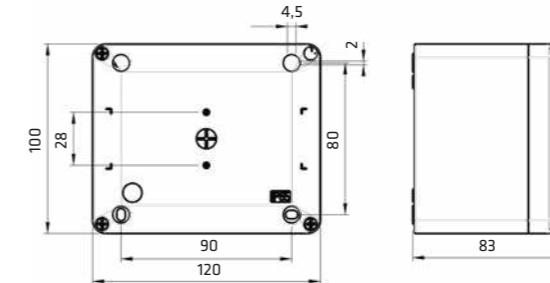


BF 1/2NGO

IP65 □

- Front knob
- **Dimensions:** 120x100x83 mm
- Black box - grey cover
- Cable entry: 8x knock-out Pg16 (2x on the bottom)

SERIES	WAFER	CODE
P012	Max 3	BF1/2NGO
P016		
P020		

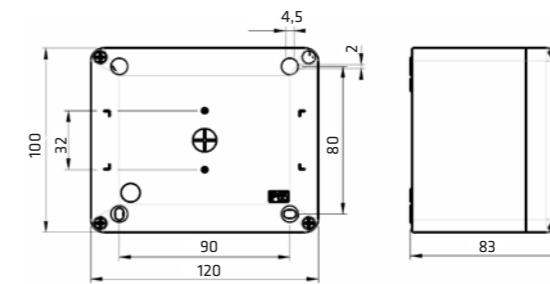


BF 1/6NGO

IP65 □

- Front knob
- **Dimensions:** 120x100x83 mm
- Black box - grey cover
- Cable entry: 8x knock-out Pg16 (2x on the bottom)

SERIES	WAFER	CODE
C025	Max 2	BF1/6NGO
C032		
C040		

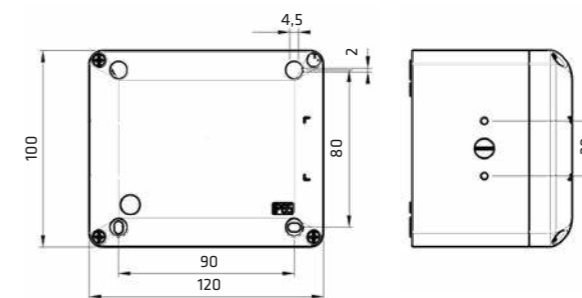


BL 1/ONGO

IP65 □

- Side knob
- **Dimensions:** 120x100x83 mm
- Black box - grey cover
- Cable entry: 8x knock-out Pg16 (2x on the bottom)

SERIES	WAFER	CODE
P012	Max 6	BL1/ONGO
P016		
P020		



PHOENIX CAM SWITCHES | ENCLOSURES

PHOENIX CAM SWITCHES | ENCLOSURES

IP65 THERMOPLASTIC ENCLOSURES

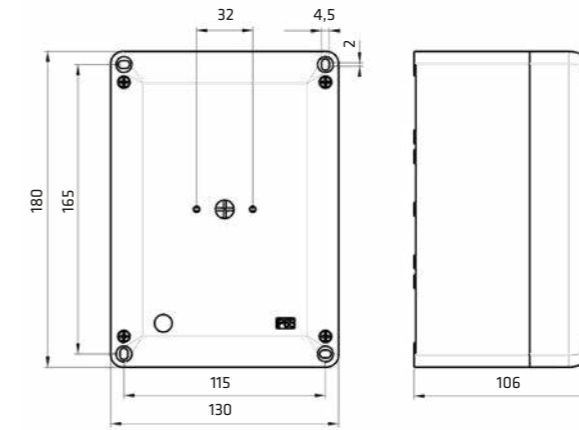


BF4/GNGO

IP65 □

- Front knob
- **Dimensions:** 130x180x106 mm
- Black box - grey cover
- Cable entry: 4x knock-out M25/M32 + 2x ø22,5mm closed hole on the bottom.

SERIES	WAFER	CODE
C025	Max 3	BF4/GNGO
C032		
C040		

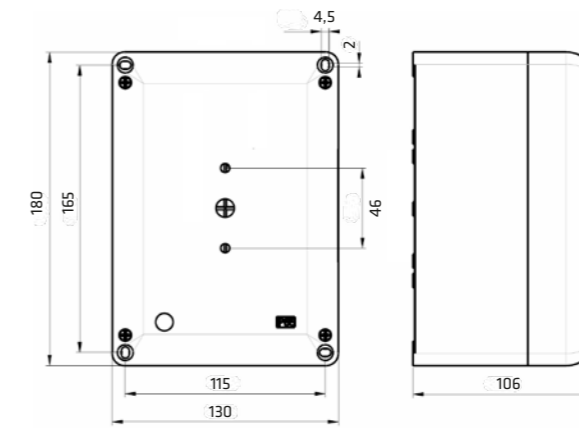


BF4/HNGO

IP65 □

- Front knob
- **Dimensions:** 130x180x106 mm
- Black box - grey cover
- Cable entry: 4x knock-out M25/M32 + 2x ø22,5mm closed hole on the bottom.

SERIES	WAFER	CODE
C063	Max 2	BF4/HNGO
C080		



IP65 ALUMINUM ENCLOSURES

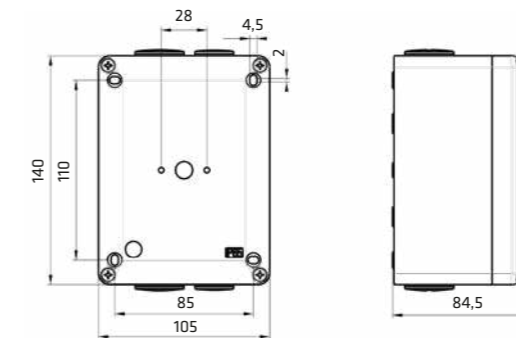


BFA/ANGO

IP65

- Front knob
- **Dimensions:** 105x140x85 mm
- Black box - grey cover
- Cable entry: cap 2x M20 +2x M25

SERIES	WAFER	CODE
P012	Max 3	BFA/ANGO
P016		
P020		



BFA/BNGO

IP65

- Front knob
- **Dimensions:** 105x140x85 mm
- Black box - grey cover
- Cable entry: cap 2x M20 +2x M25

SERIES	WAFER	CODE
C025	Max 2	BFA/BNGO
C032		
C040		

