

PHOENIX CAM SWITCHES | TYPE D

DIMENSIONS AND DRILLING PLAN | TYPE D

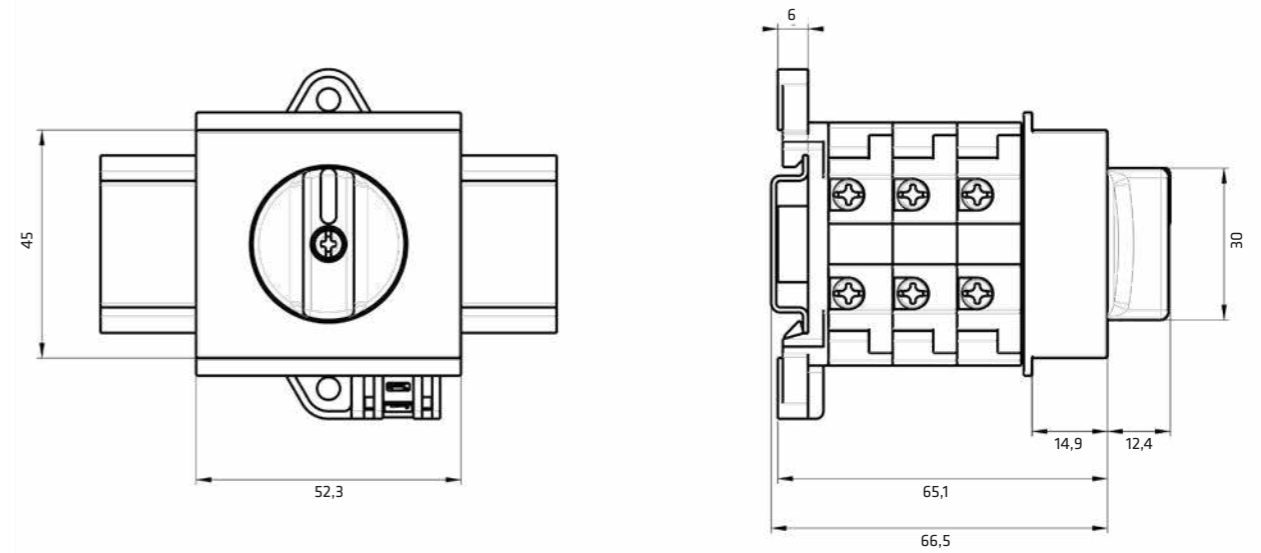
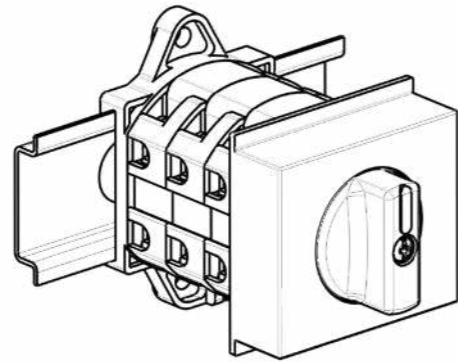


DIN MOUNTING 46 mm

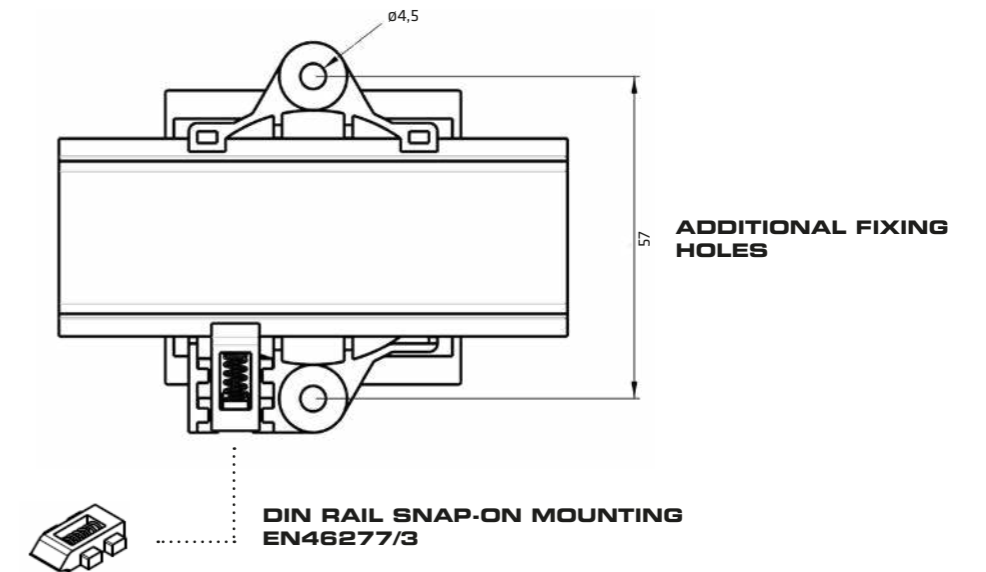
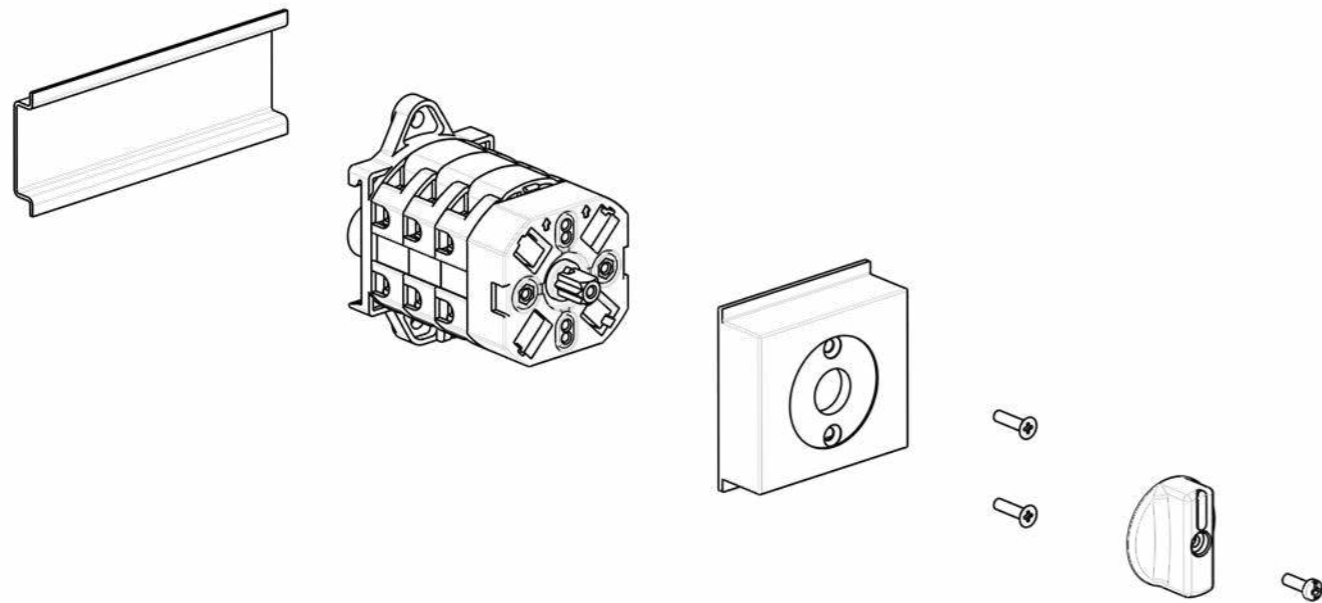
Only switches DIN rail mounting 46 mm standard boxes

| RANGE AC21A | 12A - 16A - 20A |

DIN EN46277/3

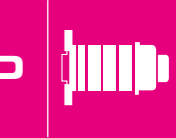


**STEADY Length
3 WAFERS**



ADDITIONAL FIXING HOLES

**DIN RAIL SNAP-ON MOUNTING
EN46277/3**



ON-OFF SWITCHES 0-1 | TYPE D

ACTUATORS ON-OFF SWITCHES 0-1 | TYPE D

DIN MOUNTING 46 mm

Only switches DIN rail mounting 46 mm standard boxes

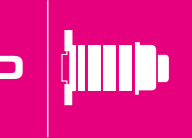


12-16-20A

 90°	 90°	 90°	 90°	 90°	 90°																																																																																																																			
 1 2	 1 3 2 4	 1 3 5 2 4 6	 1 3 5 7 2 4 6 8	 1 3 5 7 9 2 4 6 8 10	 1 3 5 7 9 11 2 4 6 8 10 12																																																																																																																			
<table border="1"> <tr><td>1</td><td></td><td></td><td></td><td>X</td></tr> <tr><td>1-2</td><td></td><td></td><td></td><td></td></tr> <tr><td>WARF</td><td>CONT.</td><td>0</td><td>1</td><td></td></tr> </table>	1				X	1-2					WARF	CONT.	0	1		<table border="1"> <tr><td>1</td><td>3-4</td><td></td><td>X</td></tr> <tr><td>1-2</td><td></td><td></td><td>X</td></tr> <tr><td>WARF</td><td>CONT.</td><td>0</td><td>1</td></tr> </table>	1	3-4		X	1-2			X	WARF	CONT.	0	1	<table border="1"> <tr><td>2</td><td>5-6</td><td></td><td>X</td></tr> <tr><td>1</td><td>3-4</td><td></td><td>X</td></tr> <tr><td>1-2</td><td></td><td></td><td>X</td></tr> <tr><td>WARF</td><td>CONT.</td><td>0</td><td>1</td></tr> </table>	2	5-6		X	1	3-4		X	1-2			X	WARF	CONT.	0	1	<table border="1"> <tr><td>2</td><td>7-8</td><td></td><td>X</td></tr> <tr><td>2</td><td>5-6</td><td></td><td>X</td></tr> <tr><td>1</td><td>3-4</td><td></td><td>X</td></tr> <tr><td>1-2</td><td></td><td></td><td>X</td></tr> <tr><td>WARF</td><td>CONT.</td><td>0</td><td>1</td></tr> </table>	2	7-8		X	2	5-6		X	1	3-4		X	1-2			X	WARF	CONT.	0	1	<table border="1"> <tr><td>3</td><td>9-10</td><td></td><td>X</td></tr> <tr><td>2</td><td>7-8</td><td></td><td>X</td></tr> <tr><td>2</td><td>5-6</td><td></td><td>X</td></tr> <tr><td>1</td><td>3-4</td><td></td><td>X</td></tr> <tr><td>1-2</td><td></td><td></td><td>X</td></tr> <tr><td>WARF</td><td>CONT.</td><td>0</td><td>1</td></tr> </table>	3	9-10		X	2	7-8		X	2	5-6		X	1	3-4		X	1-2			X	WARF	CONT.	0	1	<table border="1"> <tr><td>3</td><td>11-12</td><td></td><td>X</td></tr> <tr><td>3</td><td>9-10</td><td></td><td>X</td></tr> <tr><td>2</td><td>7-8</td><td></td><td>X</td></tr> <tr><td>2</td><td>5-6</td><td></td><td>X</td></tr> <tr><td>1</td><td>3-4</td><td></td><td>X</td></tr> <tr><td>1-2</td><td></td><td></td><td>X</td></tr> <tr><td>WARF</td><td>CONT.</td><td>0</td><td>1</td></tr> </table>	3	11-12		X	3	9-10		X	2	7-8		X	2	5-6		X	1	3-4		X	1-2			X	WARF	CONT.	0	1
1				X																																																																																																																				
1-2																																																																																																																								
WARF	CONT.	0	1																																																																																																																					
1	3-4		X																																																																																																																					
1-2			X																																																																																																																					
WARF	CONT.	0	1																																																																																																																					
2	5-6		X																																																																																																																					
1	3-4		X																																																																																																																					
1-2			X																																																																																																																					
WARF	CONT.	0	1																																																																																																																					
2	7-8		X																																																																																																																					
2	5-6		X																																																																																																																					
1	3-4		X																																																																																																																					
1-2			X																																																																																																																					
WARF	CONT.	0	1																																																																																																																					
3	9-10		X																																																																																																																					
2	7-8		X																																																																																																																					
2	5-6		X																																																																																																																					
1	3-4		X																																																																																																																					
1-2			X																																																																																																																					
WARF	CONT.	0	1																																																																																																																					
3	11-12		X																																																																																																																					
3	9-10		X																																																																																																																					
2	7-8		X																																																																																																																					
2	5-6		X																																																																																																																					
1	3-4		X																																																																																																																					
1-2			X																																																																																																																					
WARF	CONT.	0	1																																																																																																																					

ACTUATOR	P012 - P016 - P020	
 90°	 90°	 90°
	-	027/0001

SERIES	AC21A	1 POLE	2 POLES	3 POLES	4 POLES	5 POLES	6 POLES
P012	12A	P0120001D	P0120002D	P0120003D	P0120004D	P0120005D	P0120006D
P016	16A	P0160001D	P0160002D	P0160003D	P0160004D	P0160005D	P0160006D
P020	20A	P0200001D	P0200002D	P0200003D	P0200004D	P0200005D	P0200006D



CHANGEOVER SWITCHES 1-0-2 | TYPE D

ACTUATORS CHANGEOVER SWITCHES 1-0-2 | TYPE D



DIN MOUNTING 46 mm

Only switches DIN rail mounting 46 mm standard boxes

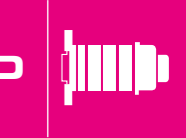


12-16-20A

 45°	 45°	 45°	 45°																																																																																																																								
<table border="1"> <tr><td>1</td><td>3-4</td><td></td><td></td><td>X</td></tr> <tr><td></td><td>1-2</td><td>X</td><td></td><td></td></tr> <tr><td>WAF</td><td>CONT.</td><td>1</td><td>0</td><td>2</td></tr> </table>	1	3-4			X		1-2	X			WAF	CONT.	1	0	2	<table border="1"> <tr><td>2</td><td>7-8</td><td></td><td></td><td>X</td></tr> <tr><td></td><td>5-6</td><td>X</td><td></td><td></td></tr> <tr><td>1</td><td>3-4</td><td></td><td></td><td>X</td></tr> <tr><td></td><td>1-2</td><td>X</td><td></td><td></td></tr> <tr><td>WAF</td><td>CONT.</td><td>1</td><td>0</td><td>2</td></tr> </table>	2	7-8			X		5-6	X			1	3-4			X		1-2	X			WAF	CONT.	1	0	2	<table border="1"> <tr><td>3</td><td>11-12</td><td></td><td></td><td>X</td></tr> <tr><td></td><td>9-10</td><td>X</td><td></td><td></td></tr> <tr><td>2</td><td>7-8</td><td></td><td></td><td>X</td></tr> <tr><td></td><td>5-6</td><td>X</td><td></td><td></td></tr> <tr><td>1</td><td>3-4</td><td></td><td></td><td>X</td></tr> <tr><td></td><td>1-2</td><td>X</td><td></td><td></td></tr> <tr><td>WAF</td><td>CONT.</td><td>1</td><td>0</td><td>2</td></tr> </table>	3	11-12			X		9-10	X			2	7-8			X		5-6	X			1	3-4			X		1-2	X			WAF	CONT.	1	0	2	<table border="1"> <tr><td>4</td><td>15-16</td><td></td><td></td><td>X</td></tr> <tr><td></td><td>13-14</td><td>X</td><td></td><td></td></tr> <tr><td>3</td><td>11-12</td><td></td><td></td><td>X</td></tr> <tr><td></td><td>9-10</td><td>X</td><td></td><td></td></tr> <tr><td>2</td><td>7-8</td><td></td><td></td><td>X</td></tr> <tr><td></td><td>5-6</td><td>X</td><td></td><td></td></tr> <tr><td>1</td><td>3-4</td><td></td><td></td><td>X</td></tr> <tr><td></td><td>1-2</td><td>X</td><td></td><td></td></tr> <tr><td>WAF</td><td>CONT.</td><td>1</td><td>0</td><td>2</td></tr> </table>	4	15-16			X		13-14	X			3	11-12			X		9-10	X			2	7-8			X		5-6	X			1	3-4			X		1-2	X			WAF	CONT.	1	0	2
1	3-4			X																																																																																																																							
	1-2	X																																																																																																																									
WAF	CONT.	1	0	2																																																																																																																							
2	7-8			X																																																																																																																							
	5-6	X																																																																																																																									
1	3-4			X																																																																																																																							
	1-2	X																																																																																																																									
WAF	CONT.	1	0	2																																																																																																																							
3	11-12			X																																																																																																																							
	9-10	X																																																																																																																									
2	7-8			X																																																																																																																							
	5-6	X																																																																																																																									
1	3-4			X																																																																																																																							
	1-2	X																																																																																																																									
WAF	CONT.	1	0	2																																																																																																																							
4	15-16			X																																																																																																																							
	13-14	X																																																																																																																									
3	11-12			X																																																																																																																							
	9-10	X																																																																																																																									
2	7-8			X																																																																																																																							
	5-6	X																																																																																																																									
1	3-4			X																																																																																																																							
	1-2	X																																																																																																																									
WAF	CONT.	1	0	2																																																																																																																							

ACTUATOR	P012 - P016 - P020
	 45°
027/0008	

SERIES	AC21A	1 POLE	2 POLES	3 POLES	4 POLES
P012	12A	P0120008D	P0120009D	P0120010D	P0120011D
P016	16A	P0160008D	P0160009D	P0160010D	P0160011D
P020	20A	P0200008D	P0200009D	P0200010D	P0200011D



AMMETER AND VOLTMETER SWITCHES | TYPE D

ACTUATORS AMMETER AND VOLTMETER SWITCHES | TYPE D

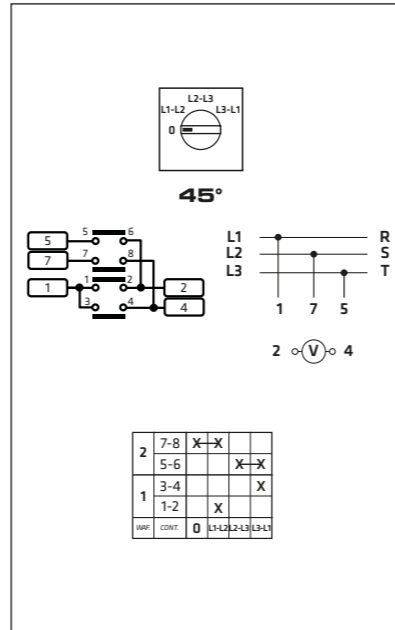
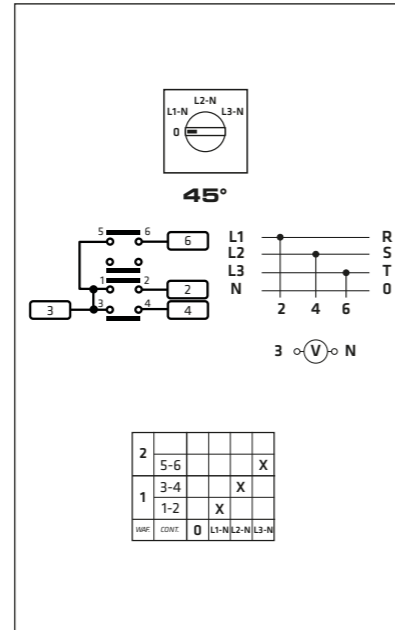
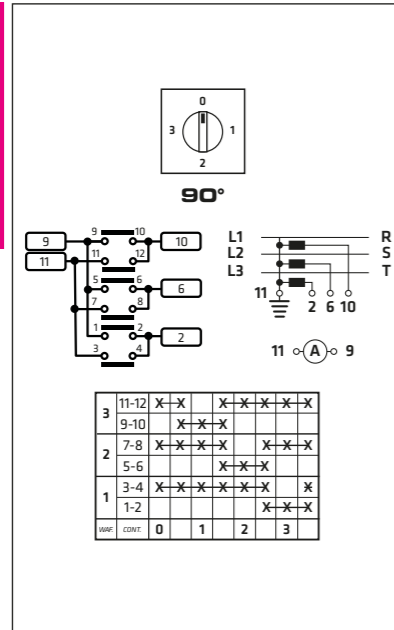


DIN MOUNTING 46 mm

Only switches DIN rail mounting 46 mm standard boxes



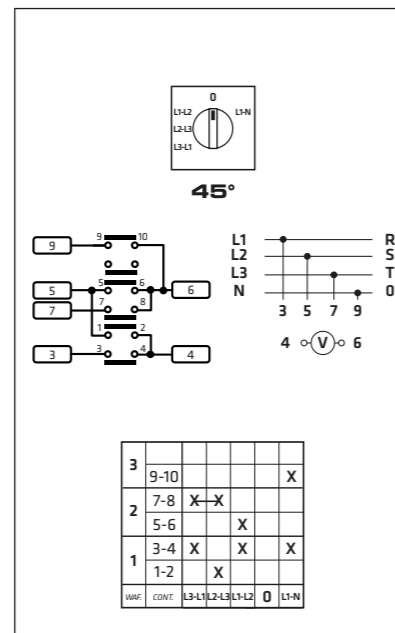
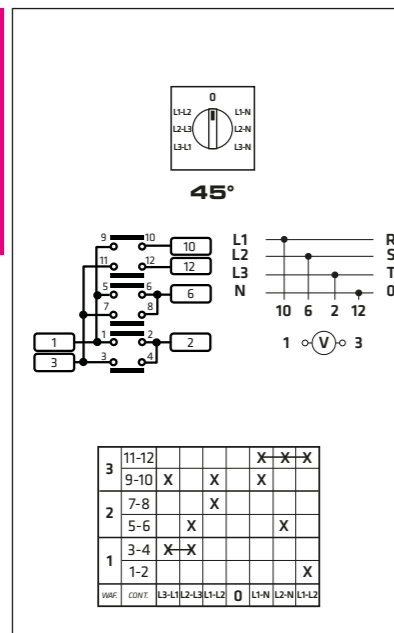
12-16-20A



SERIES	AC21A	AMMETER SELECTOR SWITCH 1 POLE FOR 3 CURRENT TRANSFORMERS	VOLTMETER SELECTOR SWITCH PHASE-NEUTRAL	VOLTMETER SELECTOR SWITCH PHASE-PHASE
P012	12A	P0120019D	P0120020D	P0120021D
P016	16A	P0160019D	P0160020D	P0160021D
P020	20A	P0200019D	P0200020D	P0200021D



12-16-20A



SERIES	AC21A	VOLTMETER SELECTOR SWITCH PHASE-PHASE AND PHASE-NEUTRAL	VOLTMETER SELECTOR SWITCH PHASE-PHASE AND 1 PHASE-NEUTRAL
P012	12A	P0120023D	P0120024D
P016	16A	P0160023D	P0160024D
P020	20A	P0200023D	P0200024D

ACTUATOR

P012 - P016 - P020

027/0019	027/0020	027/0021	027/0023	027/0024