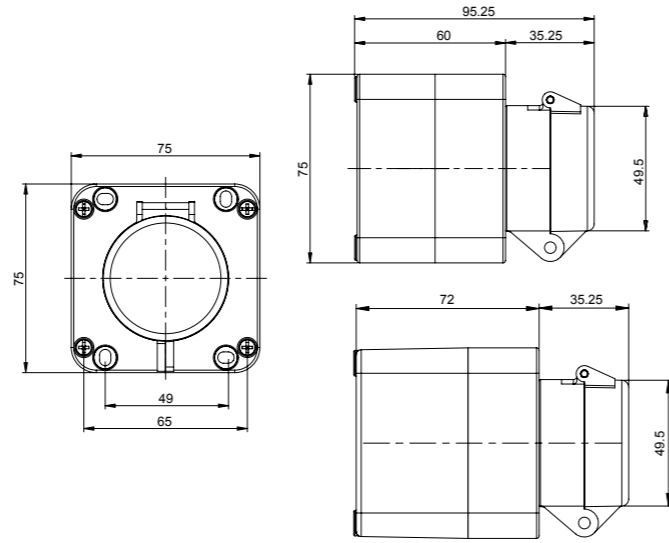
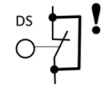


**ENCLOSURE BYPASS DEVICES**

**LANDING DOORS AND CAR DOORS BYPASS DEVICE**

The landing and car door bypass devices shall be identifiable by the word **"BYPASS"** written on or near to them. In addition, the contacts to be bypassed shall be indicated with the identifiers according to the electrical diagrams.

Alternatively the symbol shown below together with identifier according to electric diagrams can be used.

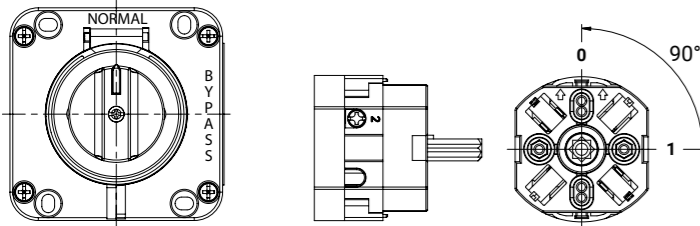


IP65

DESCRIPTION		CODE	
-------------	--	------	--

**Cam Switch 0-1**  
Switching angle 90°, 2 positions

GM092BYPASS

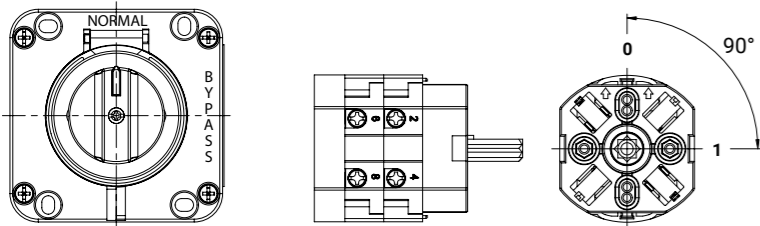


1	1-2		X
WAFER	CONTACT	0	1
		POS.	

DESCRIPTION		CODE	
-------------	--	------	--

**Cam Switch 0-1**  
Switching angle 90°, 2 positions

GM092BYPASS-01

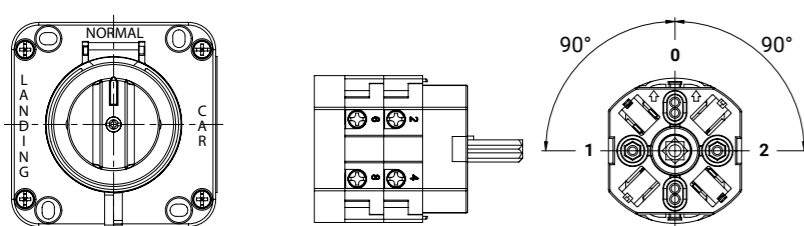


2	7-8		X
	5-6	X	
1	3-4		X
	1-2	X	
WAFER	CONTACT	0	1
		POS.	

DESCRIPTION		CODE	
-------------	--	------	--

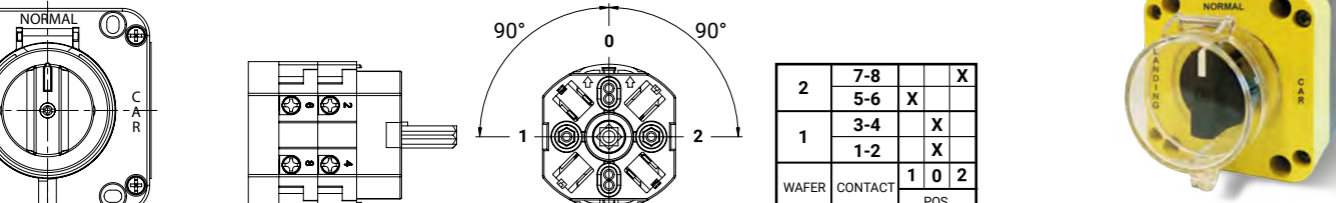
**Cam Switch 1-0-2**  
Switching angle 90°, 3 positions

GM092BYPASS-02



2	7-8		X
	5-6	X	
1	3-4		X
	1-2	X	
WAFER	CONTACT	1	0
		POS.	

IP65

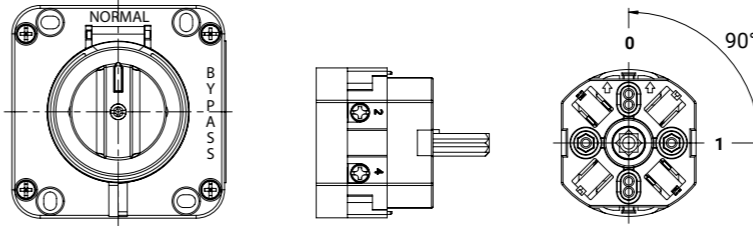


IP65

DESCRIPTION		CODE	
-------------	--	------	--

**Cam Switch 0-1**  
Switching angle 90°, 2 positions

GM092BYPASS-03



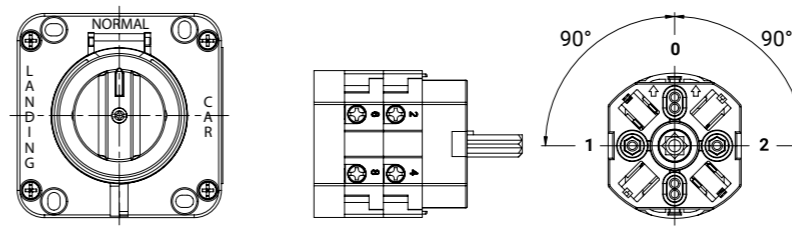
1	3-4		X
	1-2	X	
WAFER	CONTACT	0	1
		POS.	

IP65

DESCRIPTION		CODE	
-------------	--	------	--

**Cam Switch 1-0-2**  
Switching angle 90°, 3 positions

GM092BYPASS-04



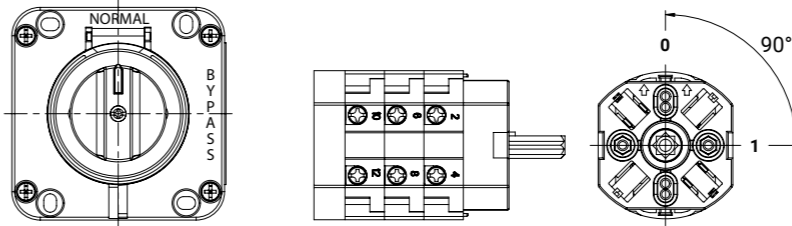
2	7-8		X
	5-6	X	
1	3-4	X	X
	1-2	X	
WAFER	CONTACT	1	0
		POS.	

IP65

DESCRIPTION		CODE	
-------------	--	------	--

**Cam Switch 0-1**  
Switching angle 90°, 2 positions

GM092BYPASS-05



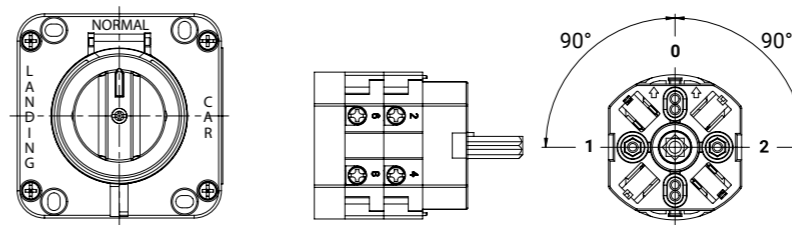
3	11-12		X
	9-10	X	
2	7-8		X
	5-6	X	
1	3-4		X
	1-2	X	
WAFER	CONTACT	0	1
		POS.	

IP65

DESCRIPTION		CODE	
-------------	--	------	--

**Cam Switch 1-0-2**  
Switching angle 90°, 3 positions

GM092BYPASS-06



2	7-8		X	X
	5-6	X		
1	3-4	X	X	
	1-2		X	
WAFER	CONTACT	1	0	2
		POS.		

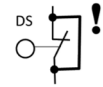
IP65

Available a wide range of electrical schemes of cam switches to customize your own specific bypass device.

**REAR FIXING BYPASS DEVICES**

The landing and car door bypass devices shall be identifiable by the word "BYPASS" written on or near to them. In addition, the contacts to be bypassed shall be indicated with the identifiers according to the electrical diagrams.

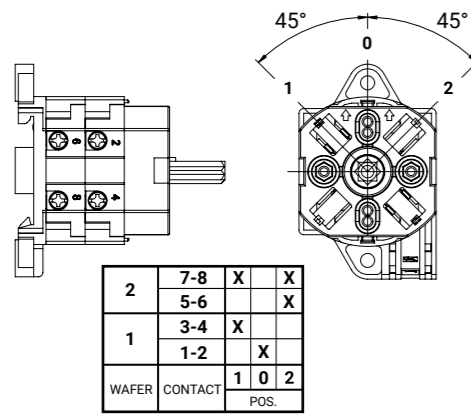
Alternatively the symbol shown below together with identifier according to electric diagrams can be used.



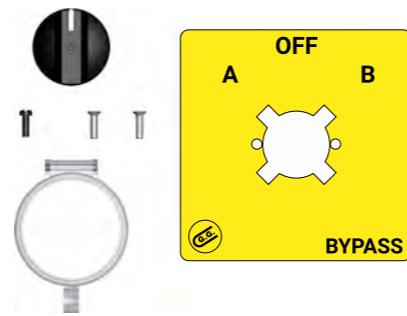
Available a wide range of electrical schemes of cam switches to customize your own specific bypass device.



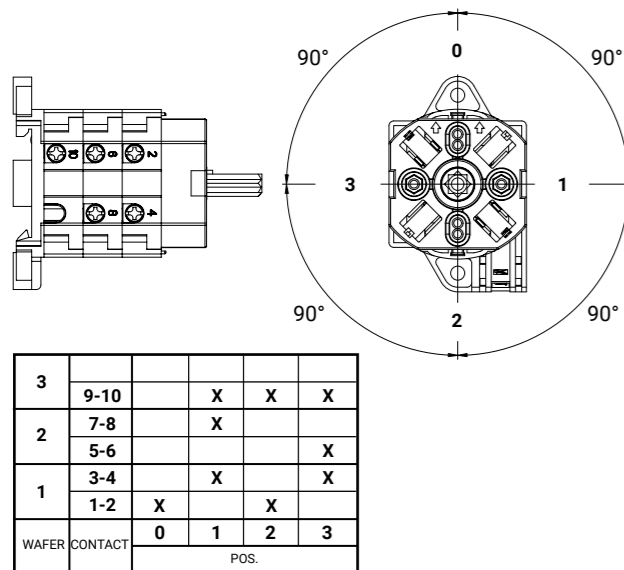
DESCRIPTION	CODE	
<b>Cam Switch 1-0-2</b> Switching angle 45°, 3 positions	<b>P0122869S</b>	



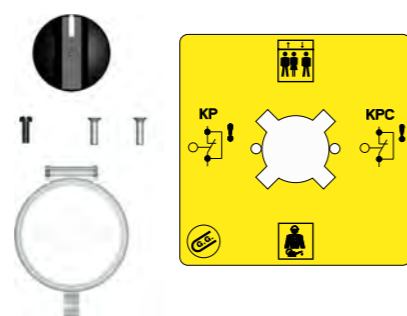
DESCRIPTION	CODE	
<b>KIT PROTECTION PLATE</b> A-OFF-B	<b>KIT-018P-BYP-B06</b>	



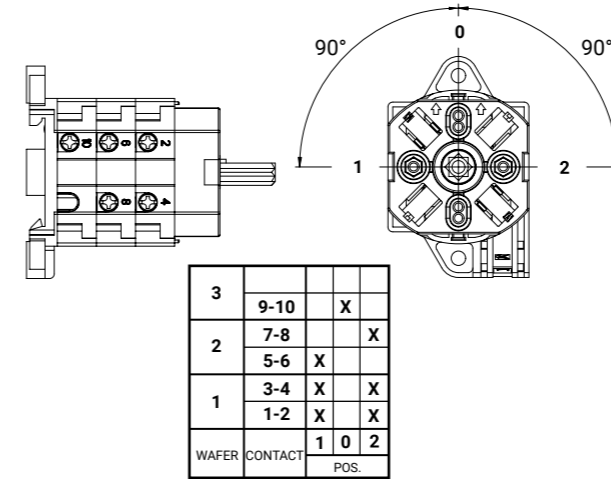
DESCRIPTION	CODE	
<b>Cam Switch</b> Switching angle 90°, 4 positions	<b>P0162718S</b>	



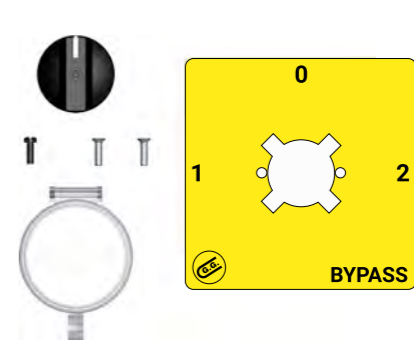
DESCRIPTION	CODE	
<b>KIT PROTECTION PLATE</b> NORMAL-KPC-INSP-KP	<b>KIT-018P-BYP-B03</b>	



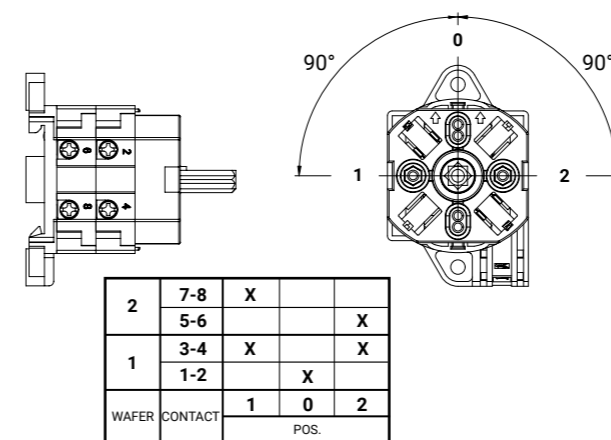
DESCRIPTION	CODE	
<b>Cam Switch 1-0-2</b> Switching angle 90°, 3 positions	<b>P0162671S</b>	



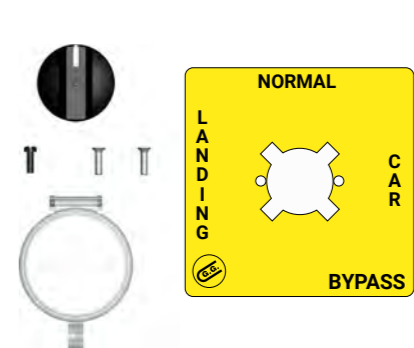
DESCRIPTION	CODE	
<b>KIT PROTECTION PLATE</b> 1-0-2	<b>KIT-018P-BYP-B01</b>	



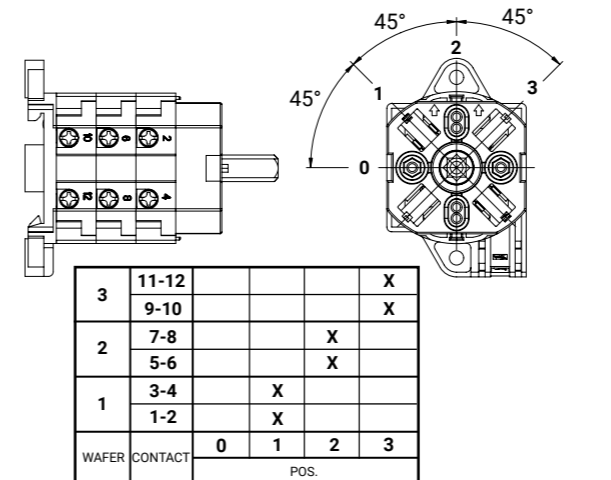
DESCRIPTION	CODE	
<b>Cam Switch</b> Switching angle 90°, 3 positions	<b>P0162807S</b>	



DESCRIPTION	CODE	
<b>KIT PROTECTION PLATE</b> LANDING-NORMAL-CAR	<b>KIT-018P-BYP-B07</b>	



DESCRIPTION	CODE	
<b>Cam Switch</b> Switching angle 45°, 4 positions	<b>P0162830S</b>	



DESCRIPTION	CODE	
<b>KIT PROTECTION PLATE</b> 0-1-2-3	<b>KIT-018P-BYP-B</b>	

